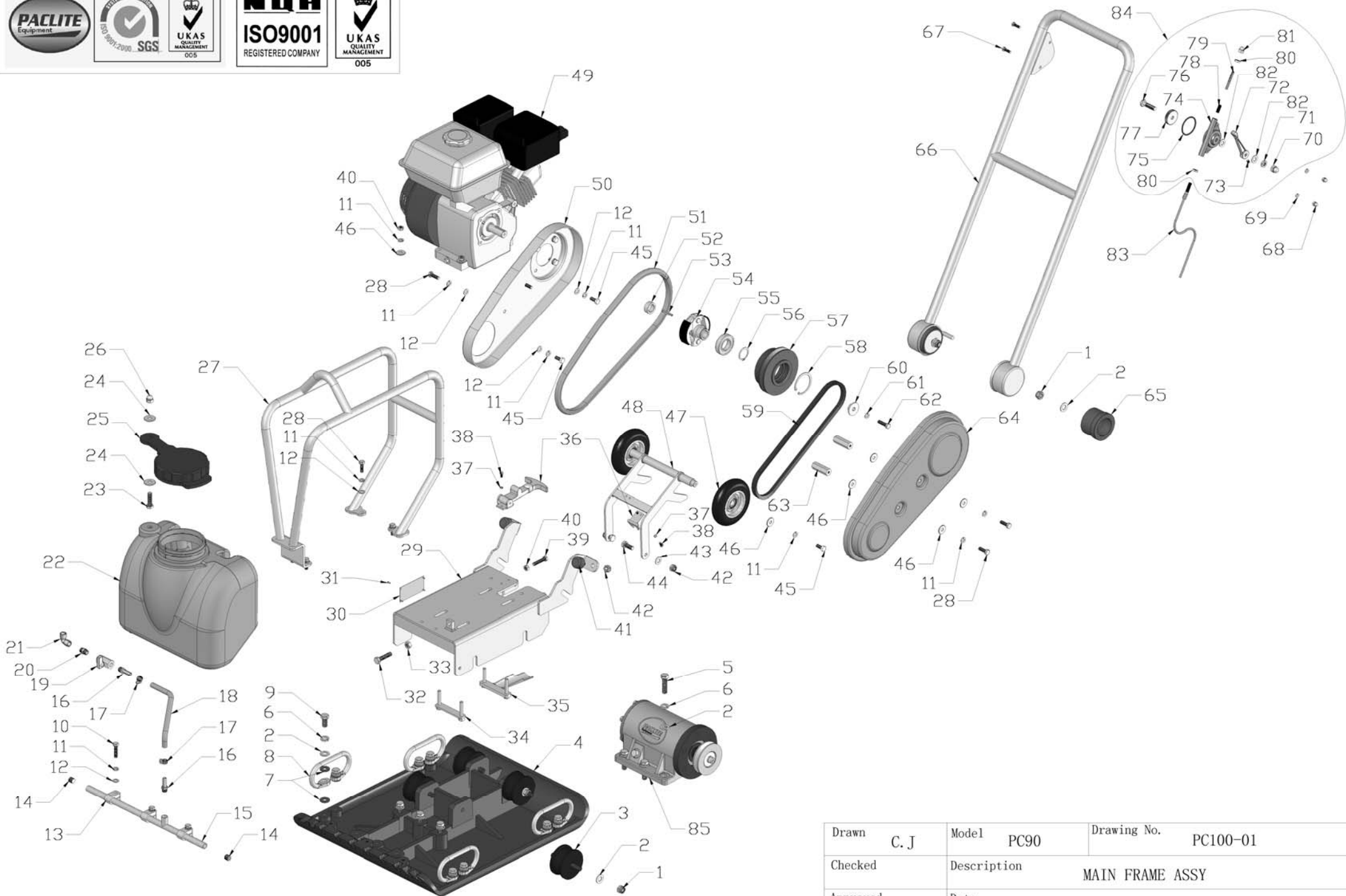
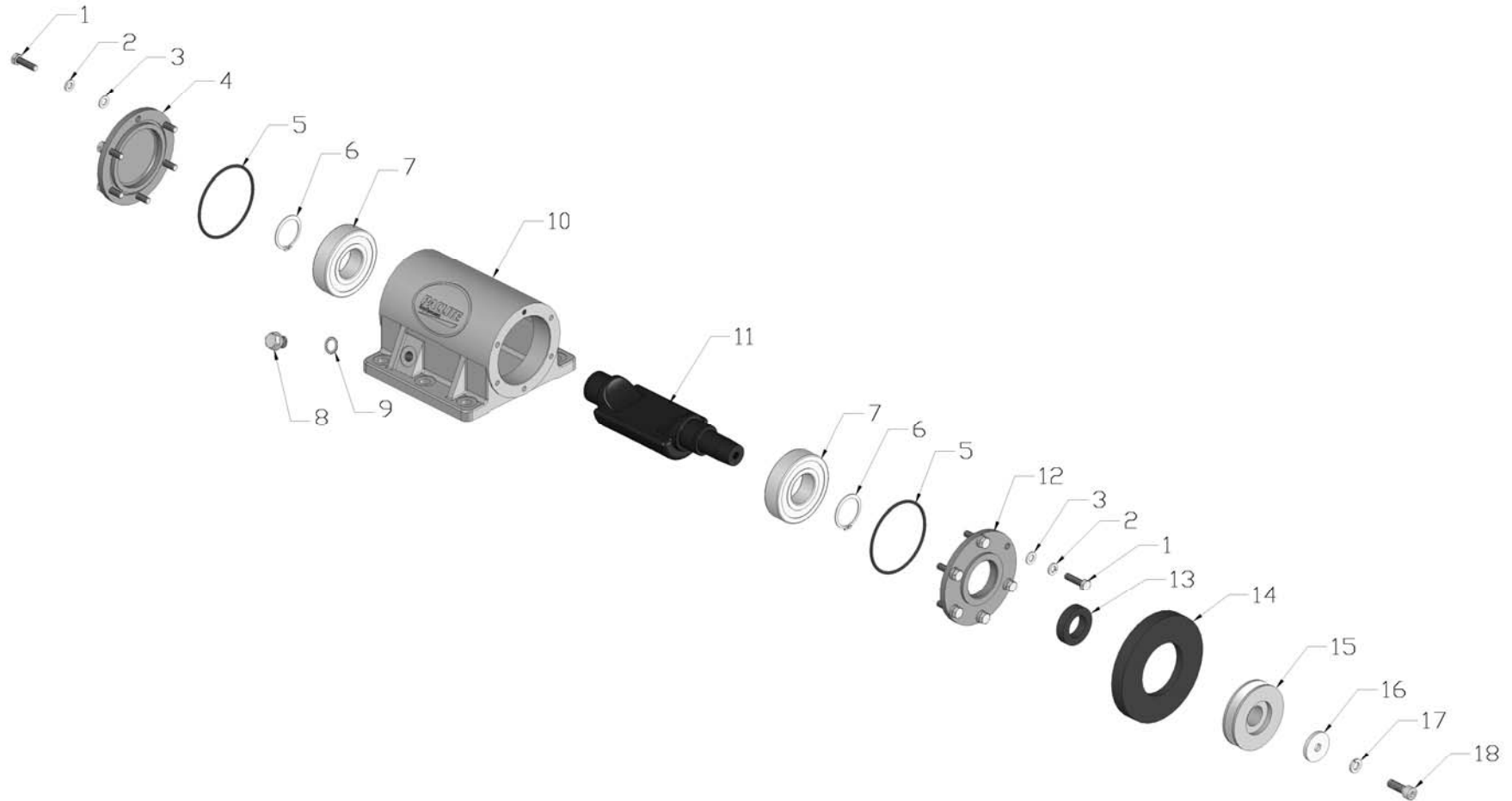


PC100-02 EXCITER HOUSING ASSY.

NO.	PART NO.	PART DESCRIPTION	MATERIAL SPECIFICATION	QTY	REMARKS
02-1	PC100-FN.B-M8x30-8.8-DIN-1	BOLT	M8x30	12	DIN 933
02-2	PC100-HSPG.W8-DIN-1	SPRING WASHER,TANG ENDS	M8	12	DIN127-A
02-3	PC100-FN.W8-DIN-2	WASHER	M8	12	DIN125-A
02-4	PC100-90P-020400	CLOSE COVER	ZL107	1	
02-5	PC100-W04-90x3.5	O RING	90x3.5	2	
02-6	PC100-CS.RG40	EXTERNAL CIRCLIP	40	2	GB894.1-86
02-7	PC100-W01-6308ZZC3E-J	BEARING	NSK 6308ZZC3E	2	
02-8	PC100-HHOS.B-M14x1.5	HEXAGON HEAD PLUG	M14x1.5	1	
02-9	PC100-GB97.1-M14	CUPRUM WASHER	M14	1	GB97.1
02-10	PC100-90P-020100P	EXCITER HOUSING	ZL107	1	
02-11	PC100-90P-020200A	EXCITER SHAFT	QT450-10	1	
02-12	PC100-90P-020300	COVER	ZL107	1	
02-13	PC100-W03-50x30x12	OIL SEAL	50x30x12	1	
02-14	PC100-90P-020500	COVER GUARD	EPDM	1	
02-15	PC100-40-060200	EXCITER PULLEY	HT200	1	
02-16	PC100-80-0303	PULLEY WASHER	Q235	1	
02-17	PC100-HSPG.W10-DIN-1	SPRING WASHER,TANG ENDS	M10	1	DIN127-A
02-18	PC100-90B-010800	VENT SCREW		1	



Drawn	C. J	Model	PC90	Drawing No.	PC100-01
Checked		Description	MAIN FRAME ASSY		
Approved		Date	2010. 04. 12		



Drawn	C. J	Model	PC90	Drawing No.	PC100-02
Checked		Description	EXCITING HOUSING ASSY		
Approved		Date	2010. 04. 12		