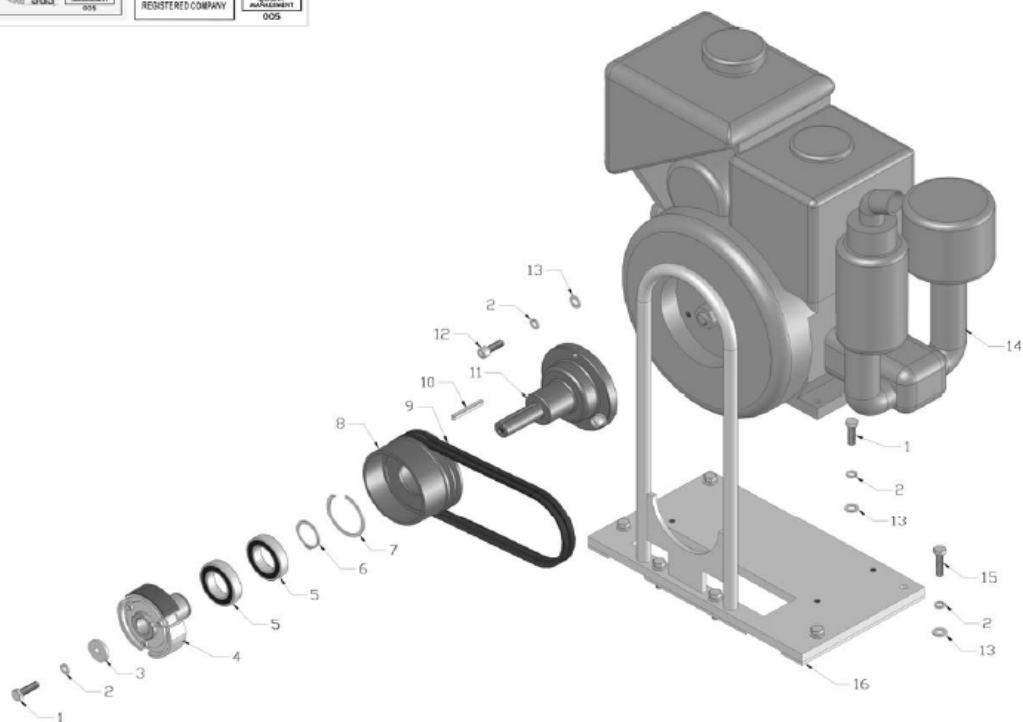


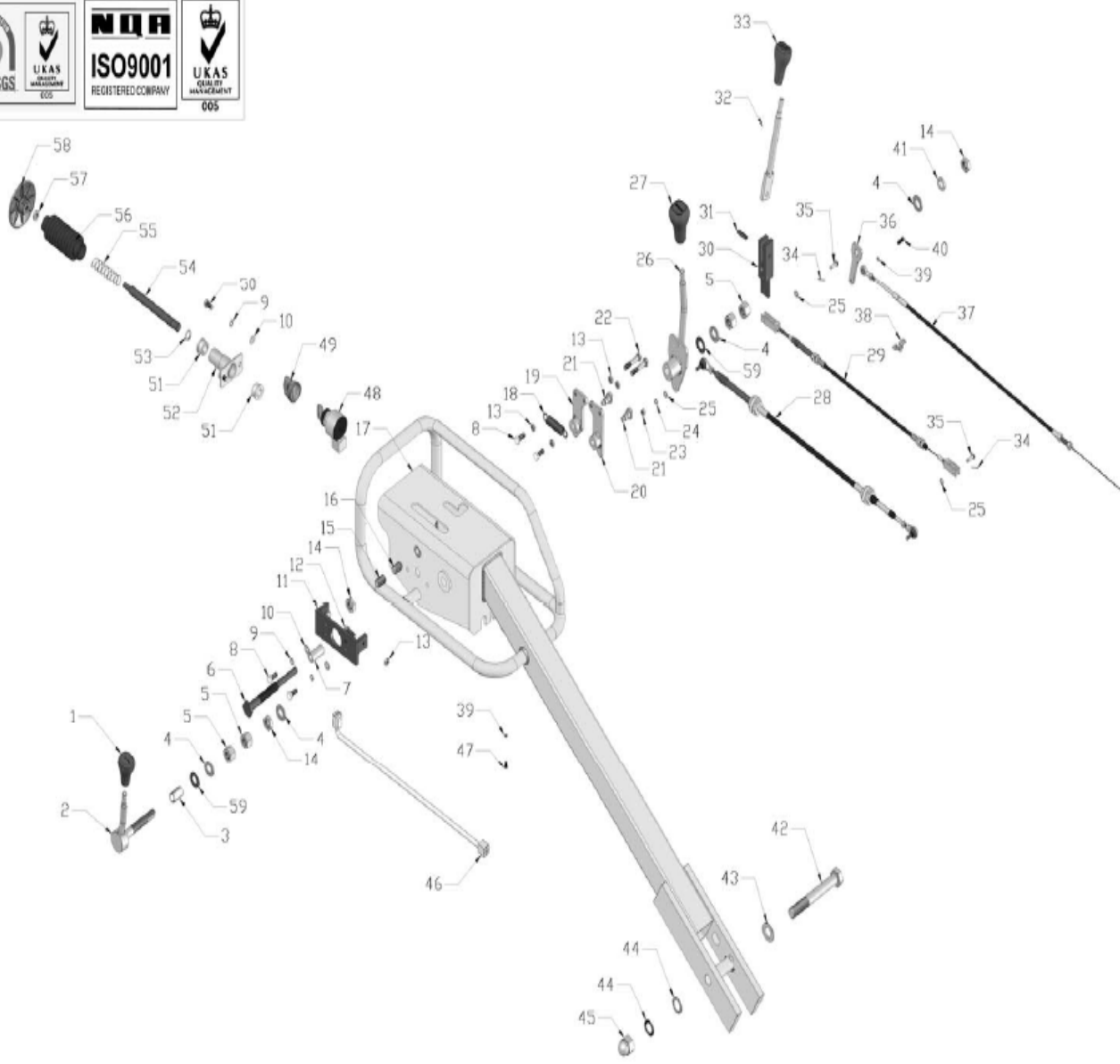
VR-6500-01 ENGINE UNIT



| | | | | | |
|----------|------|-------------|--------------------|-------------|------------|
| Drawn | C. J | Model | VR-6500 | Drawing No. | VR-6500-01 |
| Checked | | Description | ENGINE UNIT (引擎装配) | | |
| Approved | | Date | 2009. 07. 03 | | |

| No. 序号 | PART No. | 图号 | PART DESCRIPTION 品名 | QTY 数量 | UNIT PRICE (EUR) |
|--------|-------------------------------|----|-------------------------|-----------|---------------------|
| 01-1 | VR-6500-FN.B-M10x35-8.8-DIN-1 | | BOLT (六角螺栓) | 5 | |
| 01-2 | VR-6500-SPG.W10-DIN-1 | | SPRING WASHER (弹垫) | 14 | |
| 01-3 | VR-6500-6.5-011000 | | WASHER (轴端挡圈) | 1 | |
| 01-4 | VR-6500-6.5-010902 | | CLUTCH (离合器) | 1 | |
| 01-5 | VR-6500-W01-6008ZZ-J | | BEARING (轴承) | 2 | |
| 01-6 | VR-6500-CS.RG40 | | EXTERNAL CIRCLIP (轴用挡圈) | 1 | |
| 01-7 | VR-6500-6.5-010903 | | INTERNAL CIRCLIP (孔用挡圈) | 1 | |
| 01-8 | VR-6500-6.5-010901 | | PULLEY FOR CLUTCH (皮带轮) | 1 | |
| 01-9 | VR-6500-W02-3V315 | | V-BELT (V型皮带) | 2 | |
| 01-10 | VR-6500-Key.A-6.3x6.3x60 | | KEY (平键) | 1 | |
| 01-11 | VR-6500-650-010200 | | P.T.O SHAFT (引擎输出轴) | 1 | |
| 01-12 | VR-6500-HS.B-M10x30-8.8-GB-1 | | SCREW (内六角螺钉) | 3 | |
| 01-13 | VR-6500-FN.W10-DIN-1 | | WASHER (平垫) | 13 | |
| 01-14 | VR-6500-W05-E75-NB3 | | ENGINE (引擎) | 1 | |
| 01-15 | VR-6500-FN.B-M10x40-8.8-DIN-1 | | BOLT (六角螺栓) | 6 | |
| 01-16 | VR-6500-6.5-010100 | | ENGINE BASE (引擎底座) | 1 | |

VR-6500-02 OPERATION HANDLE UNIT

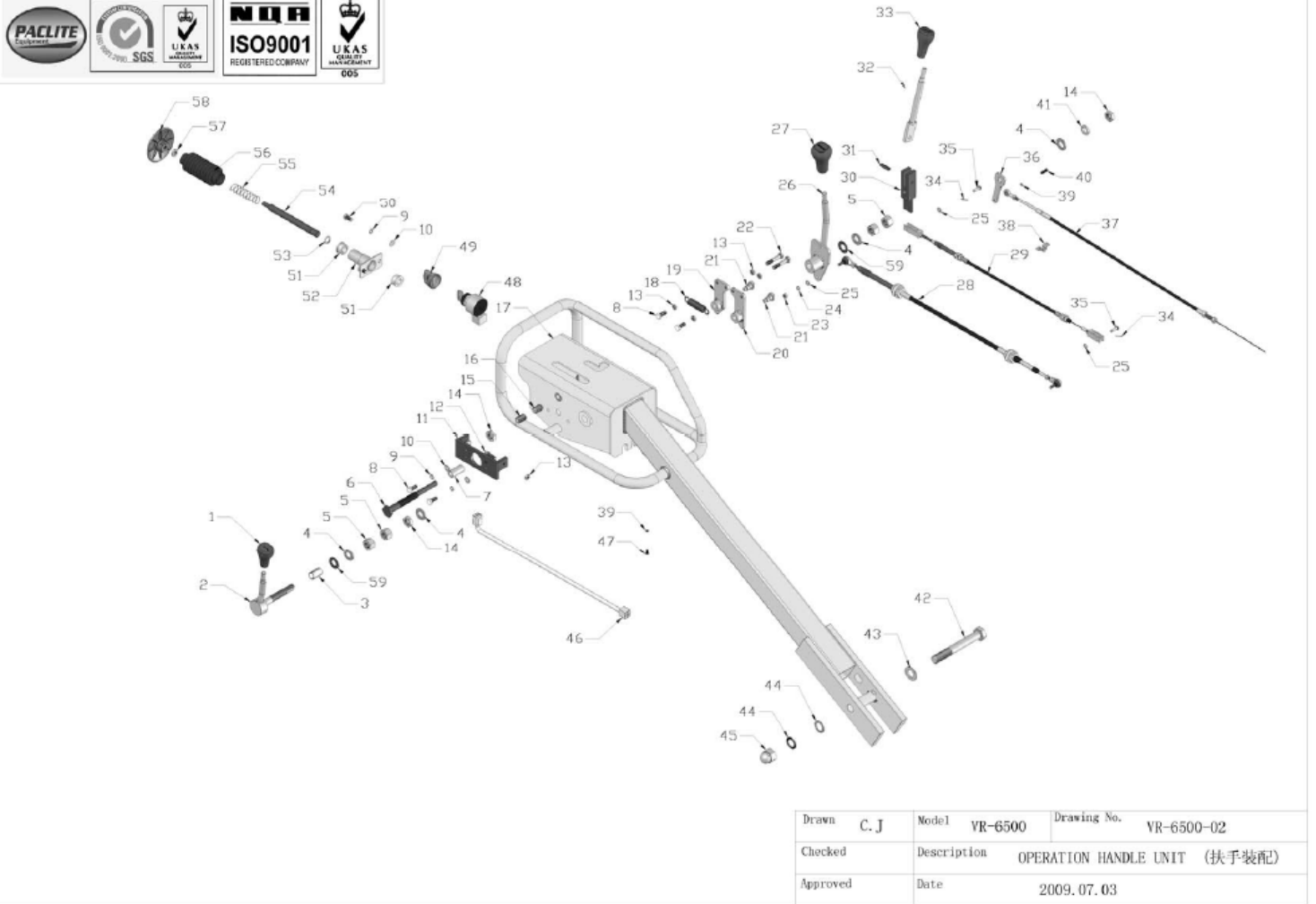


| | | | | | |
|----------|------|-------------|------------------------------|-------------|------------|
| Drawn | C. J | Model | VR-6500 | Drawing No. | VR-6500-02 |
| Checked | | Description | OPERATION HANDLE UNIT (扶手装配) | | |
| Approved | | Date | 2009. 07. 03 | | |

VR-6500-02 OPERATION HANDLE UNIT

| No. 序号 | PART No. 图号 | PART DESCRIPTION 品名 | QTY 数量 | UNIT PRICE (EUR) |
|-----------|--------------------------------|---|-----------|---------------------|
| 02-1 | VR-6500-650-023000 | THROTTLE GRIP (油门把手套) | 1 | |
| 02-2 | VR-6500-650-021000 | THROTTLE GRIP (油门把手) | 1 | |
| 02-3 | VR-6500-650-022400 | BEARING BUSH (轴承套) | 1 | |
| 02-4 | VR-6500-FN.W16-DIN-2 | WASHER (平垫) | 4 | |
| 02-5 | VR-6500-FN.N-M16-DIN-2 | NUT (螺母) | 4 | |
| 02-6 | VR-6500-6.5-022100 | PIN (销轴) | 1 | |
| 02-7 | VR-6500-6.5-022400 | BUSH (套) | 1 | |
| 02-8 | VR-6500-FN.B-M8x20-8.8-DIN-2 | BOLT (六角螺栓) | 4 | |
| 02-9 | VR-6500-SPG.W8-DIN-2 | SPRING WASHER (弹垫) | 4 | |
| 02-10 | VR-6500-FN.W8-DIN-2 | WASHER (平垫) | 4 | |
| 02-11 | VR-6500-650-020200 | PLANK (固定板) | 1 | |
| 02-12 | VR-6500-FN.B-M8x25-8.8-DIN-2 | BOLT (六角螺栓) | 2 | |
| 02-13 | VR-6500-FNL.N-M8-DIN-2 | HEXAGON THIN NUT (六角薄螺母) | 6 | |
| 02-14 | VR-6500-FNL.N-M16-DIN-2 | HEXAGON THIN NUT (六角薄螺母) | 3 | |
| 02-15 | VR-6500-FHSS.S-M16x25-GB-2 | SOCKET SCREW WITH FLAT HEAD (内六角平端紧定螺钉) | 1 | |
| 02-16 | VR-6500-6.5-022700 | PLUNGER (柱塞组件) | 1 | |
| 02-17 | VR-6500-650-020100F | OPERATION HANDLE (扶手) | 1 | |
| 02-18 | VR-6500-650-020500 | SPRING (弹簧) | 1 | |
| 02-19 | VR-6500-650-020300L | BAFFLE,LEFT (左夹板) | 1 | |
| 02-20 | VR-6500-650-020300R | BAFFLE,RIGHT (右夹板) | 1 | |
| 02-21 | VR-6500-650-020400 | BOLT PIN (螺钉销) | 2 | |
| 02-22 | VR-6500-FN.B-M8x45-8.8-DIN-2 | BOLT (六角螺栓) | 2 | |
| 02-23 | VR-6500-FN.N-M6-DIN-2 | NUT (螺母) | 1 | |
| 02-24 | VR-6500-SPG.W6-DIN-2 | SPRING WASHER (弹垫) | 1 | |
| 02-25 | VR-6500-FN.W6-DIN-2 | WASHER (平垫) | 3 | |
| 02-26 | VR-6500-650-021900 | DRIVE LEVER (驱动手柄) | 1 | |
| 02-27 | VR-6500-650-023100 | DRIVE GRIP (驱动把手) | 1 | |
| 02-28 | VR-6500-6.5D-022600 | DRIVE CABLE ASSY (驱动控制线) | 1 | |
| 02-29 | VR-6500-6.5D-022500 | VIBRATION CABLE ASSY (振动控制线) | 1 | |
| 02-30 | VR-6500-650-021700 | U CONNECTOR (U型板) | 1 | |
| 02-31 | VR-6500-SC.PIN-8x28 | SPRING PIN (弹性圆柱销) | 1 | |
| 02-32 | VR-6500-650-021800 | VIBRATION LEVER (振动手柄) | 1 | |
| 02-33 | VR-6500-650-023200 | VIBRATOR GRIP (振动把手) | 1 | |
| 02-34 | VR-6500-SP.PIN-1.6x20 | SPLIT PIN (开口销) | 2 | |
| 02-35 | VR-6500-HWH.PIN-6x20 | PIN (带孔圆柱销) | 2 | |
| 02-36 | VR-6500-650-021100 | LEVER (油门传动杆) | 1 | |
| 02-37 | VR-6500-6.5D-010800 | THROTTLE CABLE ASSY (油门控制线) | 1 | |
| 02-38 | VR-6500-6.5-010400 | CABLE CLIP (压板) | 1 | |
| 02-39 | VR-6500-SPG.W5-DIN-2 | SPRING WASHER (弹垫) | 3 | |
| 02-40 | VR-6500-FN.B-M5x16-8.8-DIN-2 | BOLT (六角螺栓) | 1 | |
| 02-41 | VR-6500-SPG.W16-DIN-2 | SPRING WASHER (弹垫) | 1 | |
| 02-42 | VR-6500-FN.B-M20x150-8.8-DIN-2 | BOLT (六角螺栓) | 1 | |
| 02-43 | VR-6500-FN.W20-DIN-2 | WASHER (平垫) | 1 | |
| 02-44 | VR-6500-NL-20 | SERRATED WASHER (止锁垫圈) | 2 | |
| 02-45 | VR-6500-HC.N-M20-DIN-2 | CAP NUT (盖形螺母) | 1 | |

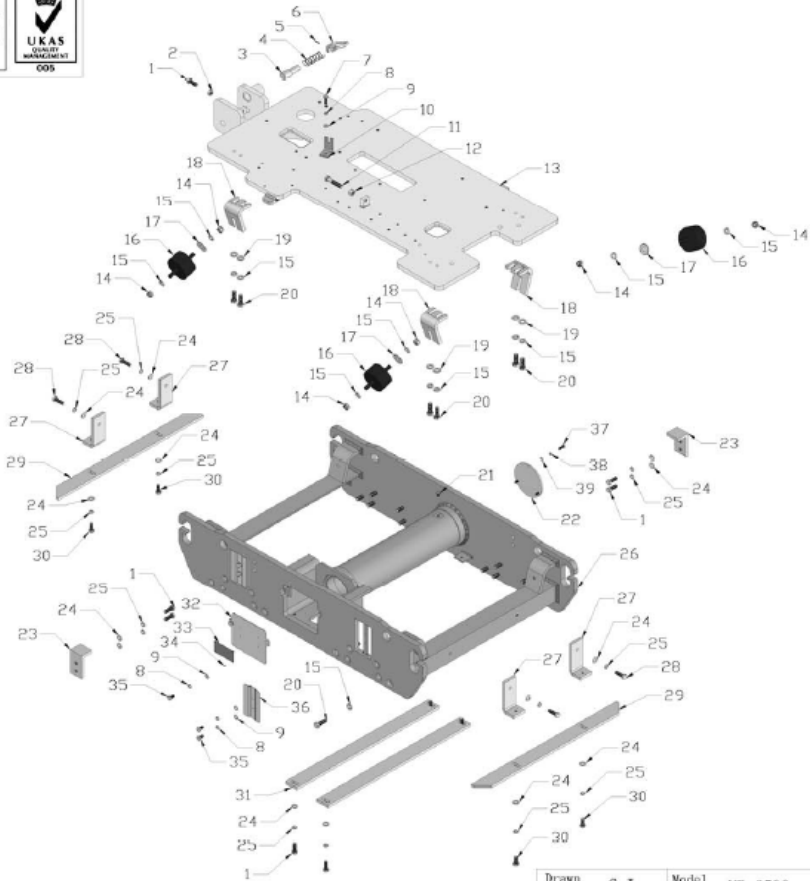
VR-6500-02 OPERATION HANDLE UNIT



| | | | | | |
|----------|------|-------------|------------------------------|-------------|------------|
| Drawn | C. J | Model | VR-6500 | Drawing No. | VR-6500-02 |
| Checked | | Description | OPERATION HANDLE UNIT (扶手装配) | | |
| Approved | | Date | 2009.07.03 | | |

| No. 序号 | PART No. 图号 | PART DESCRIPTION 品名 | QTY 数量 | UNIT PRICE (EUR) |
|-----------|------------------------------|---------------------------|-----------|---------------------|
| 02-46 | VR-6500-650-020700 | START-UP WIRE (启动电线) | 1 | |
| 02-47 | VR-6500-FN.B-M5X12-8.8-DIN-2 | BOLT (六角螺栓) | 2 | |
| 02-48 | VR-6500-6.5D-000006 | SWITCH (启动开关) | 1 | |
| 02-49 | VR-6500-6.5D-000007 | RUBBER COVER (钥匙护套) | 2 | |
| 02-50 | VR-6500-FN.B-M8x16-8.8-DIN-2 | BOLT (六角螺栓) | 2 | |
| 02-51 | VR-6500-6.5-021400 | NYLON BUSH (尼龙套) | 2 | |
| 02-52 | VR-6500-650-021500 | LEADER BASE (导杆座) | 1 | |
| 02-53 | VR-6500-CS.RG16 | EXTERNAL CIRCLIP (轴用挡圈) | 1 | |
| 02-54 | VR-6500-6.5-021600 | ROD (导杆) | 1 | |
| 02-55 | VR-6500-6.5-021300 | SPRING (弹簧) | 1 | |
| 02-56 | VR-6500-650-022900 | SWITCH BUSH (急停开关护套) | 1 | |
| 02-57 | VR-6500-FNL.N-M10 | HEXAGON THIN NUT (六角薄螺母) | 1 | |
| 02-58 | VR-6500-650-021200 | EMERGENCY KNOB (安全把手) | 1 | |
| 02-59 | VR-6500-WSPG.W16-DIN-3 | WAVE SPRING WASHER (波型弹垫) | 2 | |

VR-6500-03 MAIN FRAME

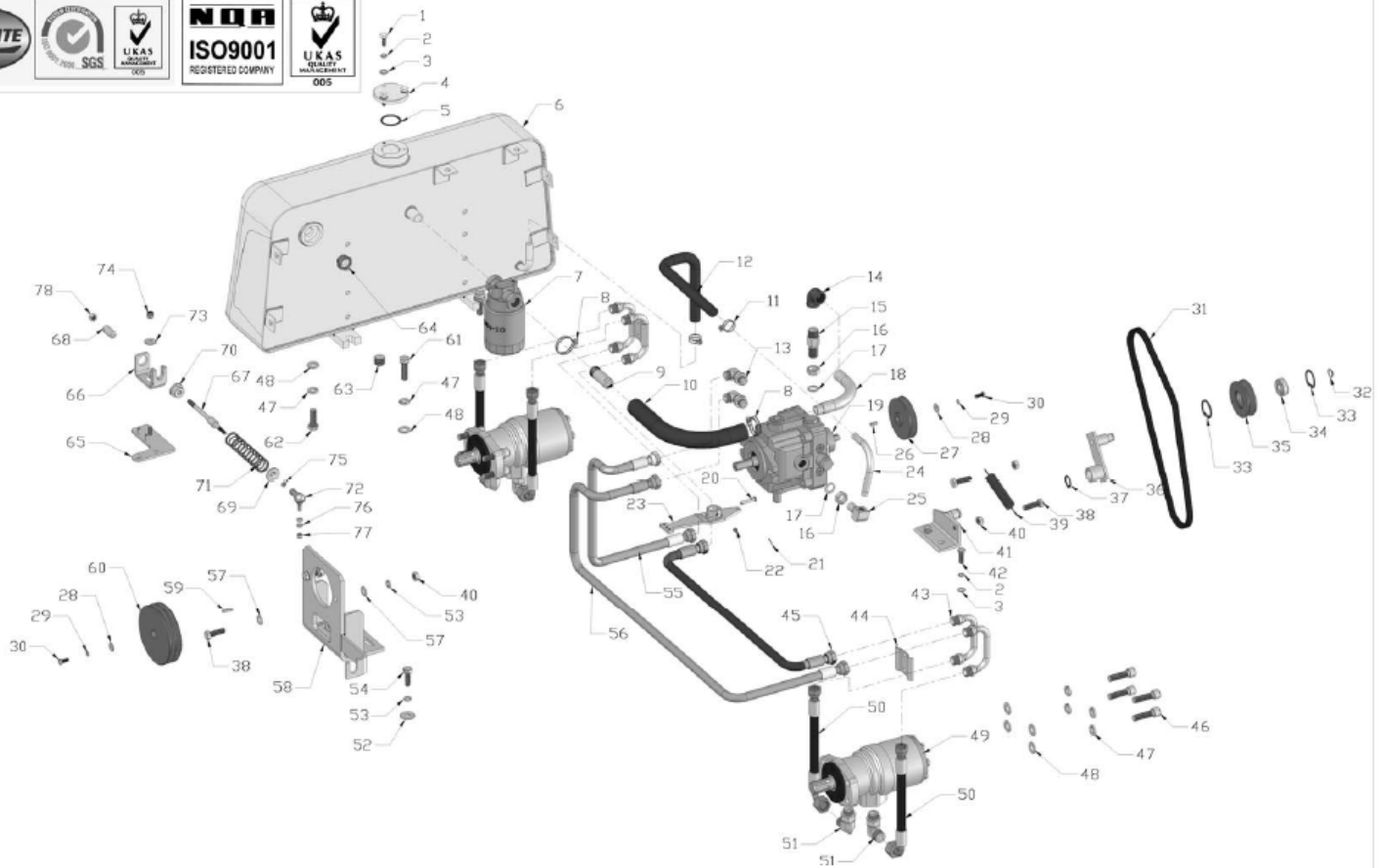


| | | | | | |
|----------|------|-------------|------------------------|-------------|------------|
| Drawn | C. J | Model | VR-6500 | Drawing No. | VR-6500-03 |
| Checked | | Description | MAIN FRAME UNIT (机架装配) | | |
| Approved | | Date | 2009.07.03 | | |

VR-6500-03 MAIN FRAME

| No. 序号 | PART No. | 图号 | PART DESCRIPTION 品名 | QTY 数量 | UNIT PRICE (EUR) |
|--------|-------------------------------|----|---------------------------|-----------|---------------------|
| 03-1 | VR-6500-FN.B-M10x30-8.8-DIN-1 | | BOLT (六角螺栓) | 9 | |
| 03-2 | VR-6500-FN.N-M10-DIN-1 | | NUT (螺母) | 1 | |
| 03-3 | VR-6500-6.5-020200 | | PIN (销轴) | 1 | |
| 03-4 | VR-6500-6.5-020300 | | SPRING (弹簧) | 1 | |
| 03-5 | VR-6500-SC.PIN-3x16 | | SPRING PIN (弹性圆柱销) | 1 | |
| 03-6 | VR-6500-650-020600 | | EYE BOLT (拉环) | 1 | |
| 03-7 | VR-6500-FN.B-M8x25-8.8-DIN-1 | | BOLT (六角螺栓) | 1 | |
| 03-8 | VR-6500-SPG.W8-DIN-1 | | SPRING WASHER (弹垫) | 7 | |
| 03-9 | VR-6500-FN.W8-DIN-1 | | WASHER (平垫) | 7 | |
| 03-10 | VR-6500-6.5-051600 | | BRACKET (振动拉线座) | 1 | |
| 03-11 | VR-6500-FN.B-M12x60-8.8-DIN-1 | | BOLT (六角螺栓) | 1 | |
| 03-12 | VR-6500-FN.N-M12-DIN-1 | | NUT (螺母) | 1 | |
| 03-13 | VR-6500-650-030300 | | BASE FRAME (大底板) | 1 | |
| 03-14 | VR-6500-IN.N-M12-DIN-1 | | LOCK NUT (防松螺母) | 8 | |
| 03-15 | VR-6500-SPG.W12-DIN-1 | | SPRING WASHER (弹垫) | 40 | |
| 03-16 | VR-6500-6.5-030700 | | RUBBER CUSHION (缓冲块) | 4 | |
| 03-17 | VR-6500-WOD.W12-GB-1 | | WASHER (大垫圈) | 4 | |
| 03-18 | VR-6500-6.5-030600 | | UPPER CUSHION SEAT (上缓冲座) | 4 | |
| 03-19 | VR-6500-FN.W12-DIN-1 | | WASHER (平垫) | 8 | |
| 03-20 | VR-6500-FN.B-M12x35-8.8-DIN-1 | | BOLT (六角螺栓) | 32 | |
| 03-21 | VR-6500-100G-000004 | | VENT SCREW (螺纹通气螺丝) | 1 | |
| 03-22 | VR-6500-6.5-050300 | | COVER (端盖) | 1 | |
| 03-23 | VR-6500-650-030400 | | STOPPER (限位板) | 2 | |
| 03-24 | VR-6500-FN.W10-DIN-1 | | WASHER (平垫) | 16 | |
| 03-25 | VR-6500-SPG.W10-DIN-1 | | SPRING WASHER (弹垫) | 16 | |
| 03-26 | VR-6500-650-030100 | | MOUNTING (架体) | 1 | |
| 03-27 | VR-6500-6.5D-031000 | | SCRAPER FRAME (刮泥板支架) | 4 | |
| 03-28 | VR-6500-FN.B-M10x35-8.8-DIN-1 | | BOLT (六角螺栓) | 4 | |
| 03-29 | VR-6500-6.5D-031100 | | EXTERNAL SCRAPER (外刮泥板) | 2 | |
| 03-30 | VR-6500-FN.B-M10x25-8.8-DIN-1 | | BOLT (六角螺栓) | 4 | |
| 03-31 | VR-6500-6.5D-030900 | | INTERNAL SCRAPER (内刮泥板) | 2 | |
| 03-32 | VR-6500-6.5-030500 | | SIDE COVER (盖板) | 1 | |
| 03-33 | VR-6500-80-0409 | | NAMEPLATE (铭牌) | 1 | |
| 03-34 | VR-6500-K.RVT-2.5x5 | | RIVET (铆钉) | 4 | |
| 03-35 | VR-6500-FN.B-M8x16-8.8-DIN-1 | | BOLT (六角螺栓) | 6 | |
| 03-36 | VR-6500-6.5-040900 | | U BYPASS SUPPORT (U型管固定板) | 2 | |
| 03-37 | VR-6500-FN.B-M6x20-8.8-DIN-1 | | BOLT (六角螺栓) | 3 | |
| 03-38 | VR-6500-SPG.W6-DIN-1 | | SPRING WASHER (弹垫) | 3 | |
| 03-39 | VR-6500-FN.W6-DIN-1 | | WASHER (平垫) | 3 | |

VR-6500-04 HYDRAULIC UNIT

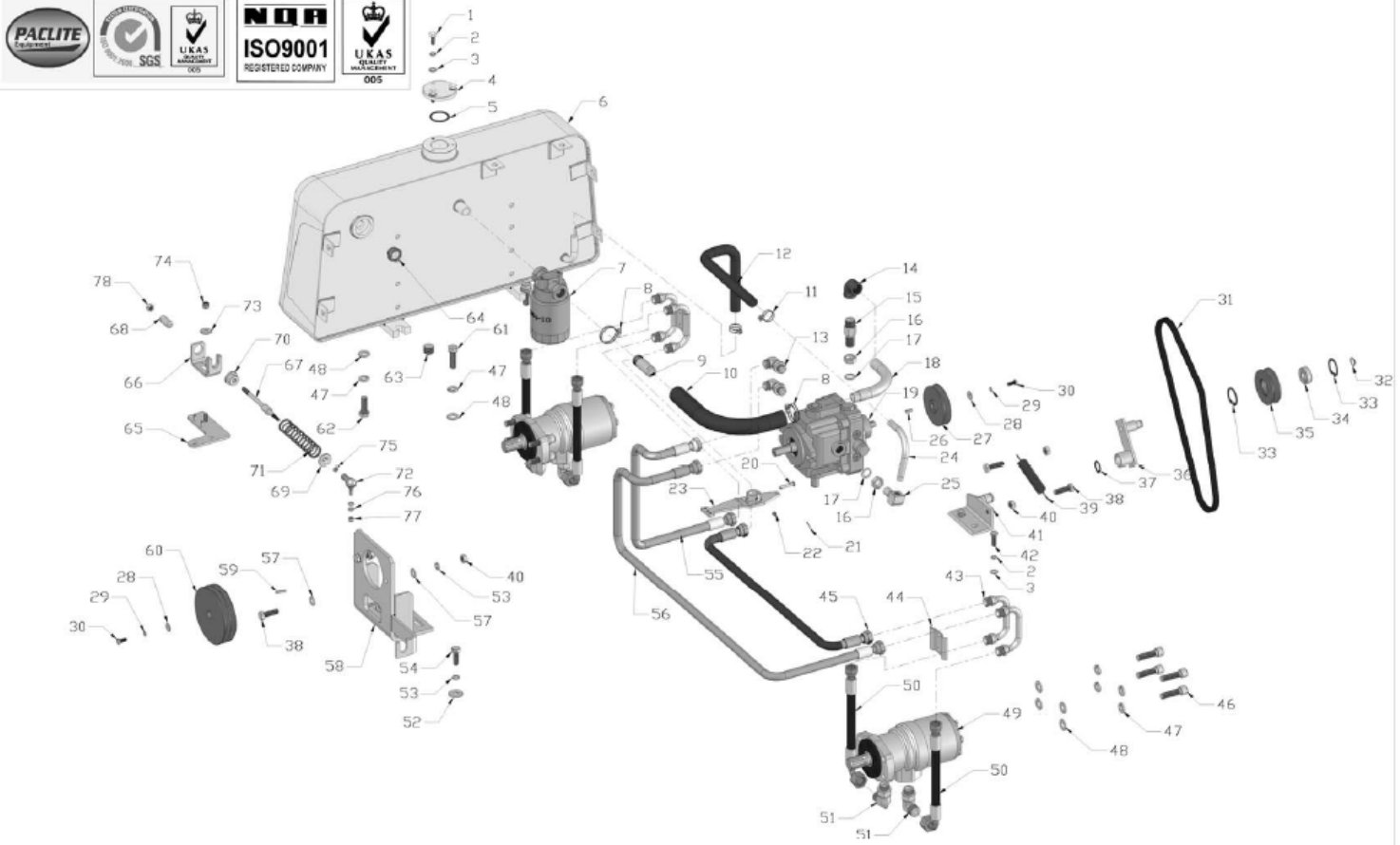


| | | | | | |
|----------|------|-------------|----------------|-------------|------------|
| Drawn | C. J | Model | VR-6500 | Drawing No. | VR-6500-04 |
| Checked | | Description | HYDRAULIC UNIT | (液压系统装配) | |
| Approved | | Date | 2009. 11. 12 | | |

VR-6500-04 HYDRAULIC UNIT

| NO. 序号 | PART NO. 图号 | PART DESCRIPTION 品名 | QTY 数量 | UNIT PRICE (EUR) |
|-----------|--------------------------------|-----------------------------|-----------|---------------------|
| 04-1 | VR-6500-FN.B-M8x20-8.8 | BOLT (六角螺栓) | 3 | |
| 04-2 | VR-6500-SPG.W8-DIN-1 | SPRING WASHER (弹垫) | 5 | |
| 04-3 | VR-6500-FN.W8-DIN-1 | WASHER (平垫) | 5 | |
| 04-4 | VR-6500-6.5-041107 | HYDRULIC OIL TANK CAP (油箱盖) | 1 | |
| 04-5 | VR-6500-W04-34.4x3.1 | O-RING (O型圈) | 1 | |
| 04-6 | VR-6500-650-041100 | HYDRAULIC OIL TANK (液压油箱) | 1 | |
| 04-7 | VR-6500-6.5-040003 | FILTER (滤油器) | 1 | |
| 04-8 | VR-6500-6.5-040008 | STEEL WIRE HOOP (钢丝管箍) | 2 | |
| 04-9 | VR-6500-6.5-041200 | FILTER NIPPLE (过滤器接管) | 1 | |
| 04-10 | VR-6500-6.5-040007 | SUCTION HOSE (进油胶管) | 1 | |
| 04-11 | VR-6500-6.5-040009 | STEEL WIRE HOOP (钢丝管箍) | 2 | |
| 04-12 | VR-6500-6.5-040006 | DRAIN HOSE (回油胶管) | 1 | |
| 04-13 | VR-6500-1CG9-18-06OG | ELBOW BEND (直角弯头) | 2 | |
| 04-14 | VR-6500-6.5-041600 | PIPE BEND (弯头) | 1 | |
| 04-15 | VR-6500-6.5-041300 | SUCTION CONNECTOR (进油管接头) | 1 | |
| 04-16 | VR-6500-6.5-041500 | LOCK NUT (锁紧螺母) | 2 | |
| 04-17 | VR-6500-ZH-D-M16 | WASHER (组合垫圈) | 2 | |
| 04-18 | VR-6500-6.5-040700 | SUCTION NIPPLE (进油管) | 1 | |
| 04-19 | VR-6500-W17-PV10-619 | HYDRAULIC PUMP (液压泵) | 1 | |
| 04-20 | VR-6500-HWH.PIN-6x32 | PIN (带孔圆柱销) | 1 | |
| 04-21 | VR-6500-SP.PIN-1.6x20 | SPLIT PIN (开口销) | 1 | |
| 04-22 | VR-6500-FHSS.S-M8x6-GB-3 | GRUB SCREW (内六角平端紧定螺钉) | 1 | |
| 04-23 | VR-6500-650-041900 | CONTROL LEVER (油泵调节杆) | 1 | |
| 04-24 | VR-6500-6.5-040600 | DRAIN NIPPLE (回油管) | 1 | |
| 04-25 | VR-6500-6.5-041400 | TIE-IN (管接头) | 1 | |
| 04-26 | VR-6500-Key.B-4.8x4.8x14 | KEY (平键) | 1 | |
| 04-27 | VR-6500-6.5-040500 | PUMP PULLEY (皮带轮) | 1 | |
| 04-28 | VR-6500-FNL.W6-GB-1 | WASHER (特大垫圈) | 2 | |
| 04-29 | VR-6500-SPG.W6-DIN-1 | SPRING WASHER (弹垫) | 2 | |
| 04-30 | VR-6500-FN.B-M6x16-8.8-DIN-1 | BOLT (六角螺栓) | 2 | |
| 04-31 | VR-6500-W02-A33 | V-BELT (V型皮带) | 1 | |
| 04-32 | VR-6500-CS.RG15 | EXTERNAL CIRCLIP (轴用挡圈) | 1 | |
| 04-33 | VR-6500-CH.RG35 | INTERNAL CIRCLIP (孔用挡圈) | 2 | |
| 04-34 | VR-6500-W01-6202ZZ-J | BEARING (轴承) | 1 | |
| 04-35 | VR-6500-6.5-051400 | PULLEY (压带轮) | 1 | |
| 04-36 | VR-6500-6.5-051300 | PULLEY BRACKET (压带轮支架) | 1 | |
| 04-37 | VR-6500-CS.RG20 | EXTERNAL CIRCLIP (轴用挡圈) | 1 | |
| 04-38 | VR-6500-FN.B-M10x35-8.8-DIN-1 | BOLT (六角螺栓) | 4 | |
| 04-39 | VR-6500-6.5-051500 | SPRING (弹簧) | 1 | |
| 04-40 | VR-6500-FN.N-M10-DIN-1 | NUT (螺母) | 4 | |
| 04-41 | VR-6500-6.5-051200 | PULLEY BRACKET (带轮支架) | 1 | |
| 04-42 | VR-6500-FN.B-M8x25-8.8-DIN-1 | BOLT (六角螺栓) | 2 | |
| 04-43 | VR-6500-6.5-040800 | BYPASS PIPE (U型管接头) | 4 | |
| 04-44 | VR-6500-6.5-041000 | U BYPASS STATOR (U型管压板) | 2 | |
| 04-45 | VR-6500-20411-18-06x1T06IRx500 | HYDRAULIC HOSE (胶管总成) | 1 | |

VR-6500-04 HYDRAULIC UNIT

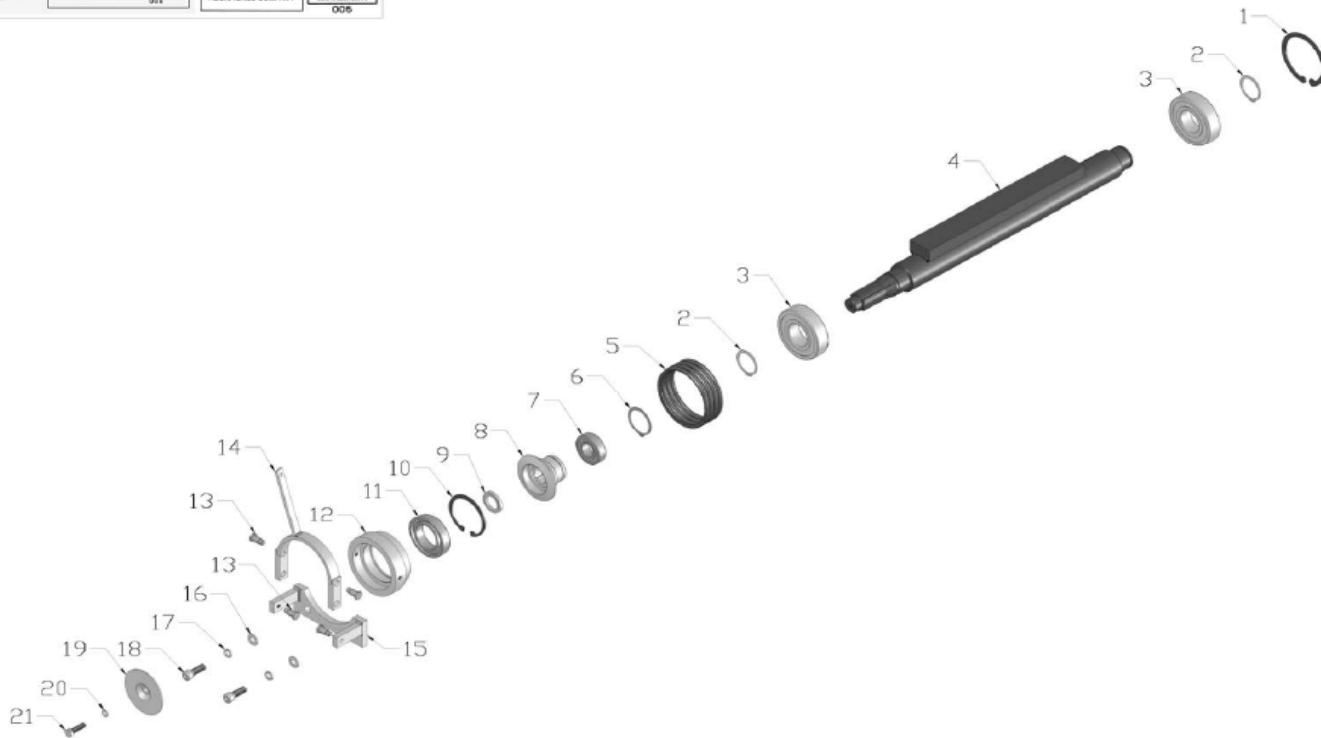


| | | | | | |
|----------|------|-------------|-------------------------|-------------|------------|
| Drawn | C. J | Model | VR-6500 | Drawing No. | VR-6500-04 |
| Checked | | Description | HYDRAULIC UNIT (液压系统装配) | | |
| Approved | | Date | 2009. 11. 12 | | |

VR-6500-04 HYDRAULIC UNIT

| NO. 序号 | PART NO. 图号 | PART DESCRIPTION 品名 | QTY 数量 | UNIT PRICE (EUR) |
|-----------|--|------------------------------------|-----------|---------------------|
| 04-46 | VR-6500-HS.B-M12x45 | SCREW (内六角螺栓) | 8 | |
| 04-47 | VR-6500-SPG.W12-DIN-1 | SPRING WASHER (弹垫) | 12 | |
| 04-48 | VR-6500-FN.W12-DIN-1 | WASHER (平垫) | 12 | |
| 04-49 | VR-6500-W17-151-6038 | HYDRAULIC MOTOR (液压马达) | 2 | |
| 04-50 | VR-6500-20491-22-06T/20411-18x1T06IRx385 | HYDRAULIC HOSE (胶管总成) | 4 | |
| 04-51 | VR-6500-1CG9-22-08OG | ELBOW BEND (直角弯头) | 4 | |
| 04-52 | VR-6500-WOD.W10-GB-1 | WASHER (大垫圈) | 4 | |
| 04-53 | VR-6500-SPG.W10-DIN-1 | SPRING WASHER (弹垫) | 6 | |
| 04-54 | VR-6500-FN.B-M10x30-8.8-DIN-1 | BOLT (六角螺栓) | 4 | |
| 04-55 | VR-6500-20411-18-06x1T06IRx750 | HYDRAULIC HOSE (胶管总成) | 1 | |
| 04-56 | VR-6500-20411-18-06x1T06IRx1070 | HYDRAULIC HOSE (胶管总成) | 1 | |
| 04-57 | VR-6500-FN.W10-DIN-1 | WASHER (平垫) | 4 | |
| 04-58 | VR-6500-6.5-040100 | PUMP BRACKET (油泵支架) | 1 | |
| 04-59 | VR-6500-Key.B-5x5x22 | KEY (平键) | 1 | |
| 04-60 | VR-6500-6.5-040300 | PUMP PULLEY (带轮) | 1 | |
| 04-61 | VR-6500-FN.B-M12x40-8.8-DIN-1 | BOLT (六角螺栓) | 2 | |
| 04-62 | VR-6500-FN.B-M12x35-8.8-DIN-1 | BOLT (六角螺栓) | 2 | |
| 04-63 | VR-6500-HSHOS.B-ZG1-2 | HEXAGONAL SOCKET HEAD PLUG (内六角螺塞) | 1 | |
| 04-64 | VR-6500-100GB-041000 | OIL GAUGE (油标) | 1 | |
| 04-65 | VR-6500-650-041700 | BASE PLATE (底座) | 1 | |
| 04-66 | VR-6500-650-041800 | BRACKET (支架) | 1 | |
| 04-67 | VR-6500-650-042000 | BOLT (螺杆) | 1 | |
| 04-68 | VR-6500-650-042100 | ADJUST NUT (调整螺母) | 1 | |
| 04-69 | VR-6500-650-042200 | SPACE COLLAR A (隔套A) | 1 | |
| 04-70 | VR-6500-650-042300 | SPACE COLLAR B (隔套B) | 1 | |
| 04-71 | VR-6500-650-042400 | SPRING (弹簧) | 1 | |
| 04-72 | VR-6500-6.5-020003 | NUIVERASL JOINT (万向接头) | 1 | |
| 04-73 | VR-6500-WOD.W8-GB-1 | WASHER (大垫圈) | 1 | |
| 04-74 | VR-6500-IN.N-M8-DIN-1 | LOCK NUT (防松螺母) | 1 | |
| 04-75 | VR-6500-FNL.N-M6-DIN-1 | HEXAGON THIN NUT (六角薄螺母) | 1 | |
| 04-76 | VR-6500-FN.W6-DIN-1 | WASHER (平垫) | 2 | |
| 04-77 | VR-6500-IN.N-M6-DIN-1 | LOCK NUT (防松螺母) | 1 | |
| 04-78 | VR-6500-FN.N-M8-DIN-1 | NUT (螺母) | 1 | |

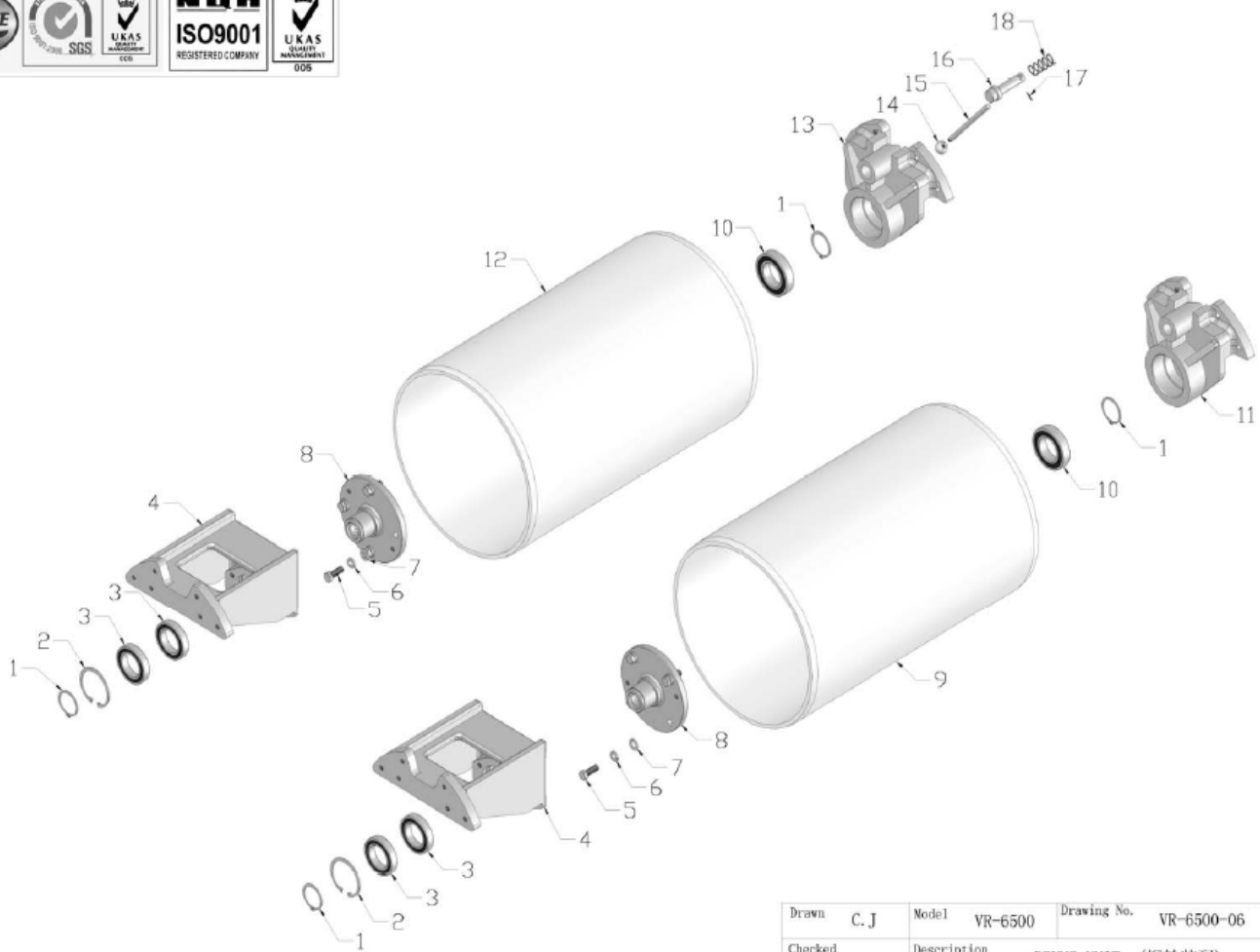
VR-6500-05 VIBRATION UNIT



| | | | | | |
|----------|------|-------------|-------------------------|-------------|------------|
| Drawn | C. J | Model | VR-6500 | Drawing No. | VR-6500-05 |
| Checked | | Description | VIBRATION UNIT (振动机构装配) | | |
| Approved | | Date | 2009. 07. 03 | | |

| No. 序号 | PART No. 图号 | PART DESCRIPTION 品名 | QTY 数量 | UNIT PRICE (EUR) |
|--------|-------------------------------|----------------------------|-----------|---------------------|
| 05-1 | VR-6500-CH.RG90 | INTERNAL CIRCLIP (孔用档圈) | 1 | |
| 05-2 | VR-6500-CS.RG40 | EXTERNAL CIRCLIP (轴用挡圈) | 2 | |
| 05-3 | VR-6500-W01-6308ZZ-J | BEARING (轴承) | 2 | |
| 05-4 | VR-6500-650-050100 | EXCITER SHAFT (振动轴) | 1 | |
| 05-5 | VR-6500-6.5-050400 | SPRING (弹簧) | 1 | |
| 05-6 | VR-6500-CS.RG45 | EXTERNAL CIRCLIP (轴用挡圈) | 1 | |
| 05-7 | VR-6500-W01-6205ZZ-J | BEARING (轴承) | 1 | |
| 05-8 | VR-6500-6.5-050600 | EXCITER PULLEY (轮盘) | 1 | |
| 05-9 | VR-6500-6.5-050800 | COLLAR (轴环) | 1 | |
| 05-10 | VR-6500-CH.RG75 | INTERNAL CIRCLIP (孔用档圈) | 1 | |
| 05-11 | VR-6500-W01-6009-J | BEARING (轴承) | 1 | |
| 05-12 | VR-6500-6.5-050500 | EXCITER BUSH (滑动套) | 1 | |
| 05-13 | VR-6500-6.5-051000 | BOLT (螺栓) | 4 | |
| 05-14 | VR-6500-5.5-050900 | EXCITER LEVER (叉架) | 1 | |
| 05-15 | VR-6500-6.5D-051100 | EXCITER LEVER SUPPORT (支架) | 1 | |
| 05-16 | VR-6500-FN.W10-DIN-1 | WASHER (平垫) | 2 | |
| 05-17 | VR-6500-SPG.W10-DIN-1 | SPRING WASHER (弹垫) | 2 | |
| 05-18 | VR-6500-HS.B-M10x30-8.8-DIN-1 | SCREW (内六角螺钉) | 2 | |
| 05-19 | VR-6500-6.5-050700 | EXCITER PULLEY (固定带轮盘) | 1 | |
| 05-20 | VR-6500-SPG.W8-DIN-1 | SPRING WASHER (弹垫) | 1 | |
| 05-21 | VR-6500-FN.B-M8x30-8.8-DIN-1 | BOLT (六角螺栓) | 1 | |

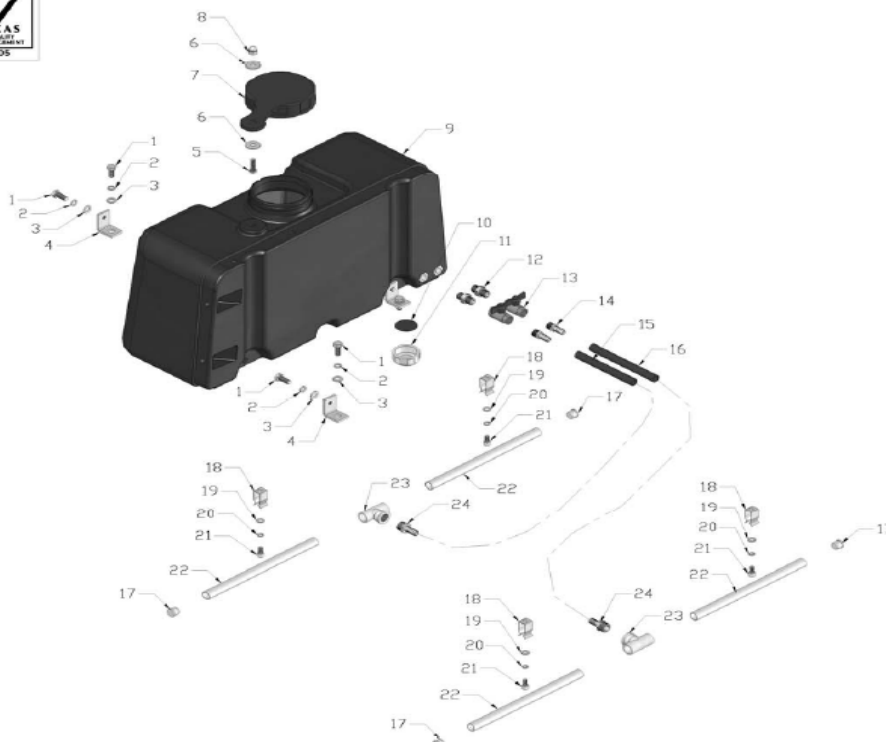
VR-6500-06 DRUMS UNIT



| | | | | | |
|----------|------|-------------|-------------------|-------------|------------|
| Drawn | C. J | Model | VR-6500 | Drawing No. | VR-6500-06 |
| Checked | | Description | DRUMS UNIT (钢轮装配) | | |
| Approved | | Date | 2009.07.03 | | |

| No. 序号 | PART No. | 图号 | PART DESCRIPTION 品名 | QTY 数量 | UNIT PRICE (EUR) |
|--------|-------------------------------|----|--------------------------|--------|------------------|
| 06-1 | VR-6500-CS.RG50 | | EXTERNAL CIRCLIP (轴用挡圈) | 4 | |
| 06-2 | VR-6500-CH.RG80 | | INTERNAL CIRCLIP (孔用挡圈) | 2 | |
| 06-3 | VR-6500-W01-6010LLU-J | | BEARING (轴承) | 4 | |
| 06-4 | VR-6500-6.5-060100 | | BRACKET (支座) | 2 | |
| 06-5 | VR-6500-FN.B-M12x35-8.8-DIN-1 | | BOLT (六角螺栓) | 8 | |
| 06-6 | VR-6500-SPG.W12-DIN-1 | | SPRING WASHER (弹垫) | 8 | |
| 06-7 | VR-6500-FN.W12-DIN-1 | | WASHER (平垫) | 8 | |
| 06-8 | VR-6500-6.5-060200 | | FLANGE SHAFT (右半轴) | 2 | |
| 06-9 | VR-6500-6.5D-060300 | | FRONT DRUM (前轮) | 1 | |
| 06-10 | VR-6500-W01-6210LLU-J | | BEARING (轴承) | 2 | |
| 06-11 | VR-6500-6.5-060500 | | FRONT LEFT BRACKET(左前支架) | 1 | |
| 06-12 | VR-6500-6.5D-060600 | | REAR DRUM (后轮) | 1 | |
| 06-13 | VR-6500-6.5-060800 | | REAR LEFT BRACKET (左后支架) | 1 | |
| 06-14 | VR-6500-SH-M8x25 | | GRIP BALL (手柄球) | 1 | |
| 06-15 | VR-6500-6.5-060700 | | PARKING HANDLE (制动手柄) | 1 | |
| 06-16 | VR-6500-6.5-060900 | | STOPPER SHAFT (止动轴) | 1 | |
| 06-17 | VR-6500-SC.PIN-3x18 | | SPRING PIN (弹性圆柱销) | 1 | |
| 06-18 | VR-6500-6.5-061000 | | SPRING (弹簧) | 1 | |

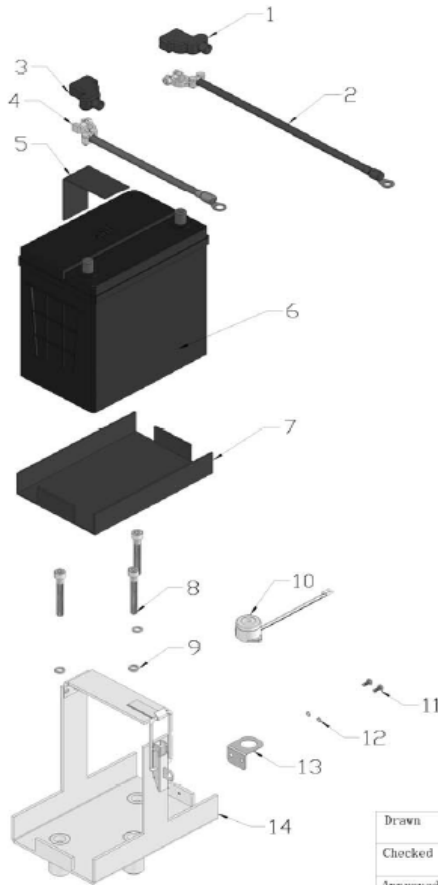
VR-6500-07 SPRINKLER UNIT



| | | | | | |
|----------|------|-------------|-------------------------|-------------|------------|
| Drawn | C. J | Model | VR-6500 | Drawing No. | VR-6500-07 |
| Checked | | Description | SPRINKLER UNIT (洒水系统装配) | | |
| Approved | | Date | 2009.07.03 | | |

| No. 序号 | PART No. 图号 | PART DESCRIPTION 品名 | QTY 数量 | UNIT PRICE (EUR) |
|-----------|-------------------------------|----------------------------|-----------|---------------------|
| 07-1 | VR-6500-FN.B-M10x25-8.8-DIN-1 | BOLT (六角螺栓) | 6 | |
| 07-2 | VR-6500-SPG.W10-DIN-1 | SPRING WASHER (弹垫) | 6 | |
| 07-3 | VR-6500-FN.W10-DIN-1 | WASHER (平垫) | 6 | |
| 07-4 | VR-6500-650-070300 | BRACKET (水箱支架) | 3 | |
| 07-5 | VR-6500-FN.B-M10x30-8.8-DIN-1 | BOLT (六角螺栓) | 1 | |
| 07-6 | VR-6500-WOD.W10 | WASHER (大垫圈) | 2 | |
| 07-7 | VR-6500-650-070200 | WATER TANK CAP (水箱盖) | 1 | |
| 07-8 | VR-6500-HC.N-M10 | CAP NUT (盖形螺母) | 1 | |
| 07-9 | VR-6500-650-070100 | WATER TANK (水箱) | 1 | |
| 07-10 | VR-6500-650-070500 | RUBBER CUSHION (橡胶垫) | 1 | |
| 07-11 | VR-6500-70B-010112 | FUEL TANK CAP (油箱盖) | 1 | |
| 07-12 | VR-6500-650-070400 | CONNECTOR (接头) | 2 | |
| 07-13 | VR-6500-6.5-070001 | CULVERT VALVE (球阀) | 2 | |
| 07-14 | VR-6500-20-000703 | HOSE NIPPLE (铜管接头) | 2 | |
| 07-15 | VR-6500-6.5-070003 | HYDRAULIC HOSE (胶管) | 1 | |
| 07-16 | VR-6500-6.5-070004 | HYDRAULIC HOSE (胶管) | 1 | |
| 07-17 | VR-6500-90BII-060300 | STOPPER (堵头) | 4 | |
| 07-18 | VR-6500-6.5-080000 | PIPE HOLDER (水管抱箍) | 4 | |
| 07-19 | VR-6500-FN.W8-DIN-1 | WASHER (平垫) | 4 | |
| 07-20 | VR-6500-SPG.W8-DIN-1 | SPRING WASHER (弹垫) | 4 | |
| 07-21 | VR-6500-HS.B-M8x16-8.8-GB-1 | SCREW (内六角螺钉) | 4 | |
| 07-22 | VR-6500-6.5D-070200 | HOSE (水管) | 4 | |
| 07-23 | VR-6500-90BII-000005 | TEE COUPLING (三通 1/2x20.5) | 2 | |
| 07-24 | VR-6500-90BII-000001 | HOSE NIPPLE (铜管接头) | 2 | |

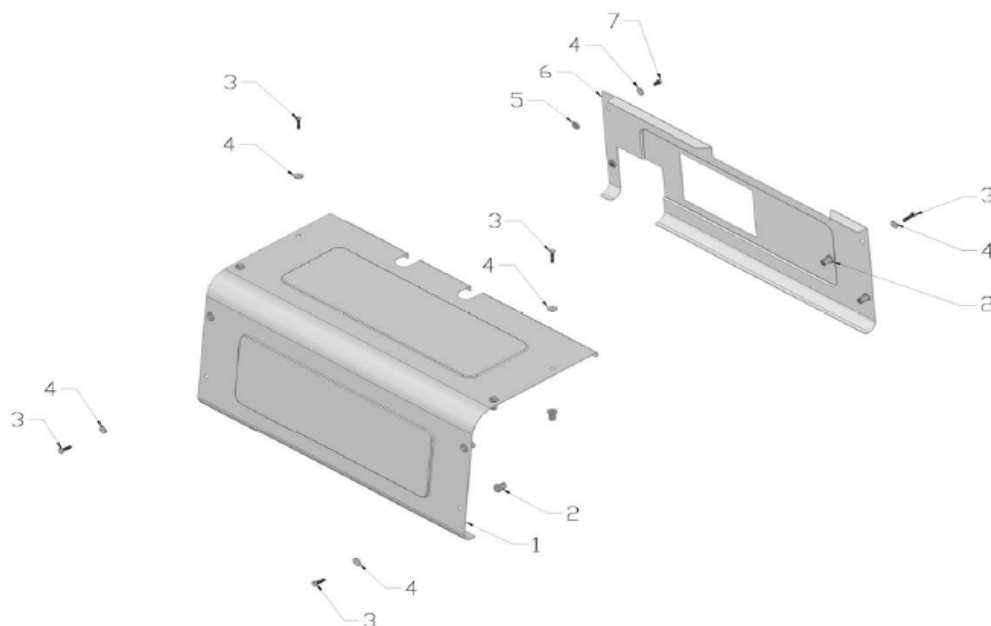
VR-6500-08 BATTERY UNIT



| | | | | | |
|----------|------|-------------|---------------------|-------------|------------|
| Drawn | C. J | Model | VR-6500 | Drawing No. | VR-6500-08 |
| Checked | | Description | BATTERY UNIT (电源装配) | | |
| Approved | | Date | 2009.07.03 | | |

| No. 序号 | PART No. | 图号 | PART DESCRIPTION 品名 | QTY 数量 | UNIT PRICE (EUR) |
|-----------|-----------------------------|----|--------------------------|-----------|---------------------|
| 08-1 | VR-6500-650-080100 | | ANODE CAP (正极接线护套) | 1 | |
| 08-2 | VR-6500-650-080300 | | ANODE WIRE (正极接线) | 1 | |
| 08-3 | VR-6500-650-080200 | | CATHODE CAP (负极接线护套) | 1 | |
| 08-4 | VR-6500-650-080400 | | CATHODE WIRE (电源线) | 1 | |
| 08-5 | VR-6500-6.5D-031403 | | UNDERLAY (缓冲垫) | 1 | |
| 08-6 | VR-6500-6.5D-000001 | | BATTERY (蓄电池) | 1 | |
| 08-7 | VR-6500-6.5D-031404 | | UNDERLAY (缓冲垫) | 1 | |
| 08-8 | VR-6500-HS.B-M8x60-8.8-GB-1 | | SCREW (内六角螺钉) | 3 | |
| 08-9 | VR-6500-SPG.W8-DIN-1 | | SPRING WASHER (弹垫) | 3 | |
| 08-10 | VR-6500-650-080500 | | BUZZER (蜂鸣器) | 1 | |
| 08-11 | VR-6500-PAN.S-M4x10 | | PAN HEAD SCREW (十字盘头槽螺钉) | 2 | |
| 08-12 | VR-6500-SPG.W4-DIN-1 | | SPRING WASHER (弹垫) | 2 | |
| 08-13 | VR-6500-650-080600 | | BUZZER BRACKET (蜂鸣器支架) | 1 | |
| 08-14 | VR-6500-6.5D-031400 | | BATTERY BOX (蓄电池座) | 1 | |

VR-6500-09 COVER UNIT



| | | | | | |
|----------|------|-------------|-------------------|-------------|------------|
| Drawn | C. J | Model | VR-6500 | Drawing No. | VR-6500-09 |
| Checked | | Description | COVER UNIT (机盖装配) | | |
| Approved | | Date | 2009.07.03 | | |

VR-6500-09 COVER UNIT

| No. 序号 | PART No. | 图号 | PART DESCRIPTION 品名 | QTY 数量 | UNIT PRICE (EUR) |
|-----------|------------------------------|----|------------------------|-----------|---------------------|
| 09-1 | VR-6500-650-090200 | | COVER (机盖) | 1 | |
| 09-2 | VR-6500-5-31-2253006021 | | WEL NUT (橡胶螺母) | 10 | |
| 09-3 | VR-6500-FN.B-M6x25-8.8-DIN-1 | | BOLT (六角螺栓) | 8 | |
| 09-4 | VR-6500-WOD.W6-GB-1 | | WASHER (大垫圈) | 8 | |
| 09-5 | VR-6500-650-090110 | | RUBBER WASHER (橡胶垫圈) | 2 | |
| 09-6 | VR-6500-650-090100 | | SIDE COVER (侧盖) | 1 | |
| 09-7 | VR-6500-FN.B-M6x12-8.8-DIN-1 | | BOLT (六角螺栓) | 2 | |