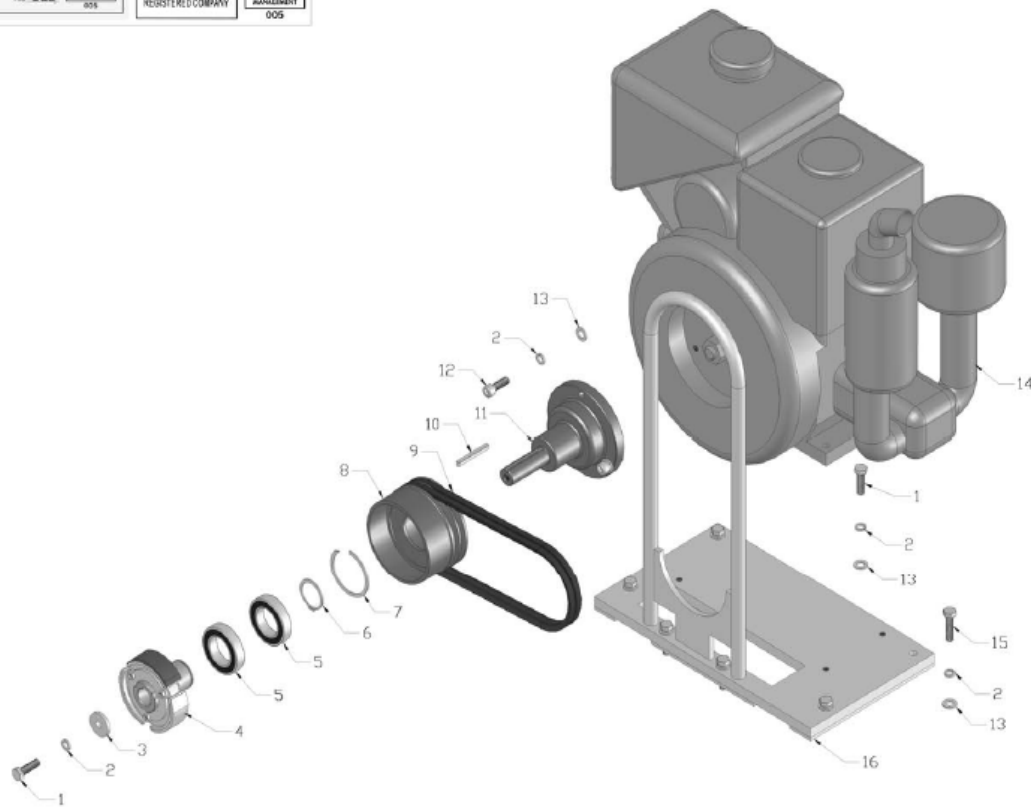


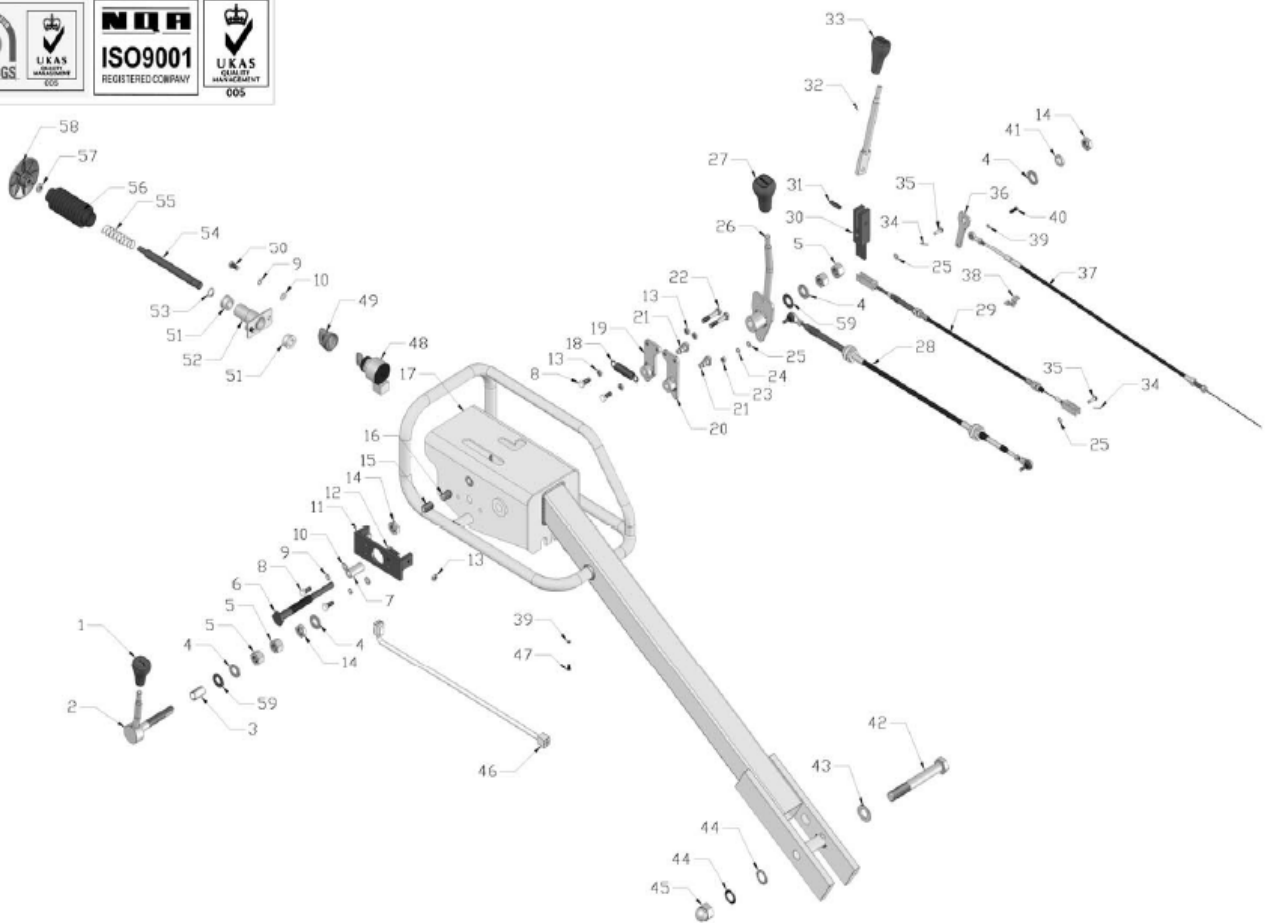
VR-6500-01 ENGINE UNIT



Drawn	C. J	Model	VR-6500	Drawing No.	VR-6500-01
Checked		Description	ENGINE UNIT(引擎装配)		
Approved		Date	2009. 07. 03		

No. 序号	PART No.	图号	PART DESCRIPTION 品名	QTY 数量	UNIT PRICE (EUR)
01-1	VR-6500-FN.B-M10x35-8.8-DIN-1		BOLT (六角螺栓)	5	
01-2	VR-6500-SPG.W10-DIN-1		SPRING WASHER (弹垫)	14	
01-3	VR-6500-6.5-011000		WASHER (轴端挡圈)	1	
01-4	VR-6500-6.5-010902		CLUTCH (离合器)	1	
01-5	VR-6500-W01-6008ZZ-J		BEARING (轴承)	2	
01-6	VR-6500-CS.RG40		EXTERNAL CIRCLIP (轴用挡圈)	1	
01-7	VR-6500-6.5-010903		INTERNAL CIRCLIP (孔用挡圈)	1	
01-8	VR-6500-6.5-010901		PULLEY FOR CLUTCH (皮带轮)	1	
01-9	VR-6500-W02-3V315		V-BELT (V型皮带)	2	
01-10	VR-6500-Key.A-6.3x6.3x60		KEY (平键)	1	
01-11	VR-6500-650-010200		P.T.O SHAFT (引擎输出轴)	1	
01-12	VR-6500-HS.B-M10x30-8.8-GB-1		SCREW (内六角螺钉)	3	
01-13	VR-6500-FN.W10-DIN-1		WASHER (平垫)	13	
01-14	VR-6500-W05-E75-NB3		ENGINE (引擎)	1	
01-15	VR-6500-FN.B-M10x40-8.8-DIN-1		BOLT (六角螺栓)	6	
01-16	VR-6500-6.5-010100		ENGINE BASE (引擎底座)	1	

VR-6500-02 OPERATION HANDLE UNIT

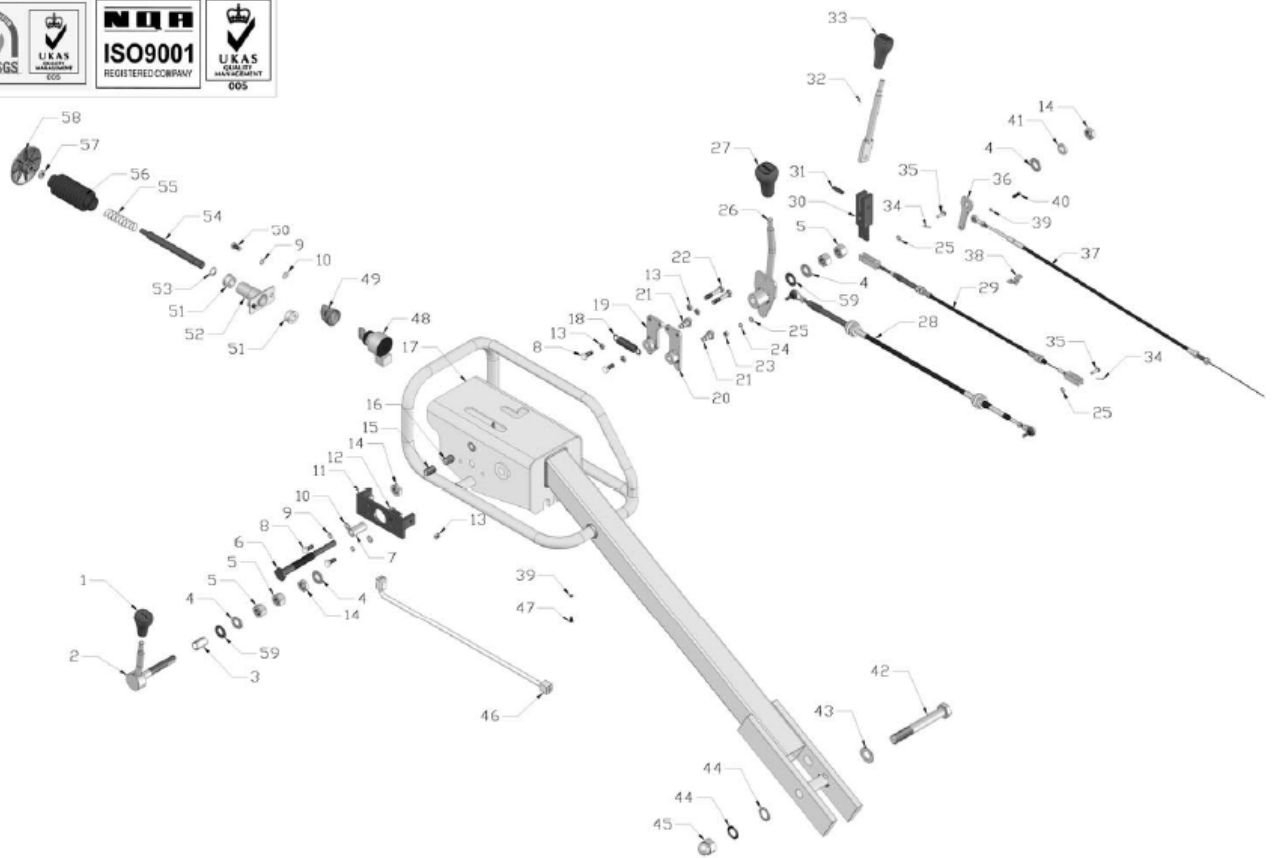


Drawn	C. J	Model	VR-6500	Drawing No.	VR-6500-02
Checked		Description	OPERATION HANDLE UNIT (扶手装配)		
Approved		Date	2009.07.03		

VR-6500-02 OPERATION HANDLE UNIT

No. 序号	PART No. 图号	PART DESCRIPTION 品名	QTY 数量	UNIT PRICE (EUR)
02-1	VR-6500-650-023000	THROTTLE GRIP (油门把手套)	1	
02-2	VR-6500-650-021000	THROTTLE GRIP (油门把手)	1	
02-3	VR-6500-650-022400	BEARING BUSH (轴承套)	1	
02-4	VR-6500-FN.W16-DIN-2	WASHER (平垫)	4	
02-5	VR-6500-FN.N-M16-DIN-2	NUT (螺母)	4	
02-6	VR-6500-6.5-022100	PIN (销轴)	1	
02-7	VR-6500-6.5-022400	BUSH (套)	1	
02-8	VR-6500-FN.B-M8x20-8.8-DIN-2	BOLT (六角螺栓)	4	
02-9	VR-6500-SPG.W8-DIN-2	SPRING WASHER (弹垫)	4	
02-10	VR-6500-FN.W8-DIN-2	WASHER (平垫)	4	
02-11	VR-6500-650-020200	PLANK (固定板)	1	
02-12	VR-6500-FN.B-M8x25-8.8-DIN-2	BOLT (六角螺栓)	2	
02-13	VR-6500-FNL.N-M8-DIN-2	HEXAGON THIN NUT (六角薄螺母)	6	
02-14	VR-6500-FNL.N-M16-DIN-2	HEXAGON THIN NUT (六角薄螺母)	3	
02-15	VR-6500-FHSS.S-M16x25-GB-2	SOCKET SCREW WITH FLAT HEAD (内六角平端紧定螺钉)	1	
02-16	VR-6500-6.5-022700	PLUNGER (柱塞组件)	1	
02-17	VR-6500-650-020100F	OPERATION HANDLE (扶手)	1	
02-18	VR-6500-650-020500	SPRING (弹簧)	1	
02-19	VR-6500-650-020300L	BAFFLE,LEFT (左夹板)	1	
02-20	VR-6500-650-020300R	BAFFLE,RIGHT (右夹板)	1	
02-21	VR-6500-650-020400	BOLT PIN (螺钉销)	2	
02-22	VR-6500-FN.B-M8x45-8.8-DIN-2	BOLT (六角螺栓)	2	
02-23	VR-6500-FN.N-M6-DIN-2	NUT (螺母)	1	
02-24	VR-6500-SPG.W6-DIN-2	SPRING WASHER (弹垫)	1	
02-25	VR-6500-FN.W6-DIN-2	WASHER (平垫)	3	
02-26	VR-6500-650-021900	DRIVE LEVER (驱动手柄)	1	
02-27	VR-6500-650-023100	DRIVE GRIP (驱动把手)	1	
02-28	VR-6500-6.5D-022600	DRIVE CABLE ASSY (驱动控制线)	1	
02-29	VR-6500-6.5D-022500	VIBRATION CABLE ASSY (振动控制线)	1	
02-30	VR-6500-650-021700	U CONNECTOR (U型板)	1	
02-31	VR-6500-SC.PIN-8x28	SPRING PIN (弹性圆柱销)	1	
02-32	VR-6500-650-021800	VIBRATION LEVER (振动手柄)	1	
02-33	VR-6500-650-023200	VIBRATOR GRIP (振动把手)	1	
02-34	VR-6500-SP.PIN-1.6x20	SPLIT PIN (开口销)	2	
02-35	VR-6500-HWH.PIN-6x20	PIN (带孔圆柱销)	2	
02-36	VR-6500-650-021100	LEVER (油门传动杆)	1	
02-37	VR-6500-6.5D-010800	THROTTLE CABLE ASSY (油门控制线)	1	
02-38	VR-6500-6.5-010400	CABLE CLIP (压板)	1	
02-39	VR-6500-SPG.W5-DIN-2	SPRING WASHER (弹垫)	3	
02-40	VR-6500-FN.B-M5x16-8.8-DIN-2	BOLT (六角螺栓)	1	
02-41	VR-6500-SPG.W16-DIN-2	SPRING WASHER (弹垫)	1	
02-42	VR-6500-FN.B-M20x150-8.8-DIN-2	BOLT (六角螺栓)	1	
02-43	VR-6500-FN.W20-DIN-2	WASHER (平垫)	1	
02-44	VR-6500-NL-20	SERRATED WASHER (止锁垫圈)	2	
02-45	VR-6500-HC.N-M20-DIN-2	CAP NUT (盖形螺母)	1	

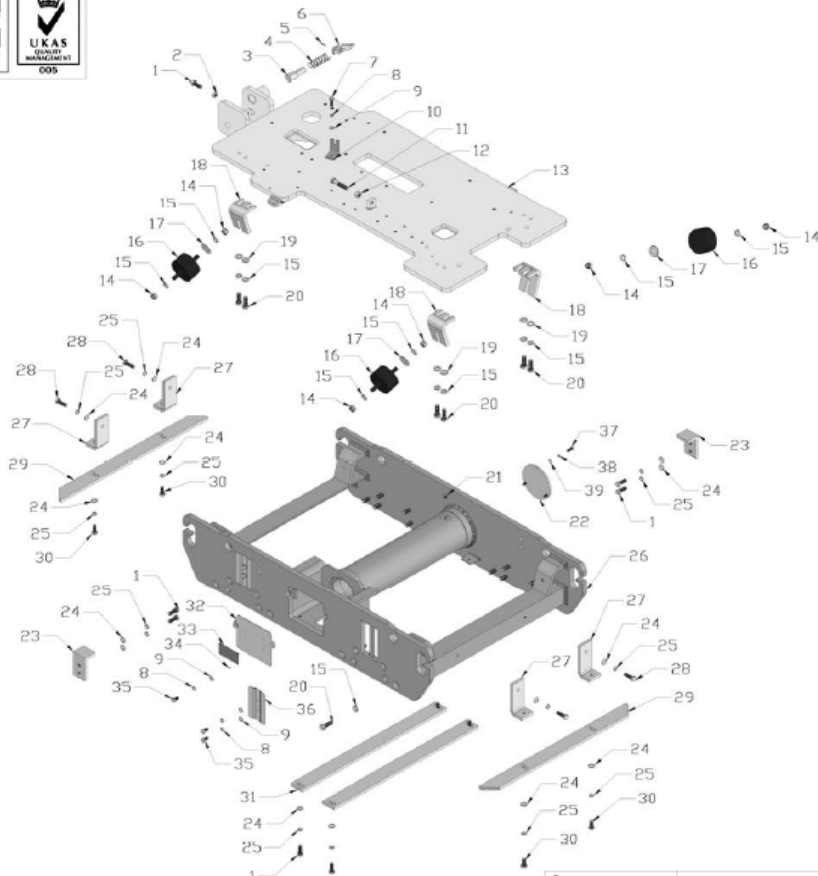
VR-6500-02 OPERATION HANDLE UNIT



Drawn	C. J	Model	VR-6500	Drawing No.	VR-6500-02
Checked		Description	OPERATION HANDLE UNIT (扶手装配)		
Approved		Date	2009. 07. 03		

No. 序号	PART No. 图号	PART DESCRIPTION 品名	QTY 数量	UNIT PRICE (EUR)
02-46	VR-6500-650-020700	START-UP WIRE (启动电线)	1	
02-47	VR-6500-FN.B-M5X12-8.8-DIN-2	BOLT (六角螺栓)	2	
02-48	VR-6500-6.5D-000006	SWITCH (启动开关)	1	
02-49	VR-6500-6.5D-000007	RUBBER COVER (钥匙护套)	2	
02-50	VR-6500-FN.B-M8x16-8.8-DIN-2	BOLT (六角螺栓)	2	
02-51	VR-6500-6.5-021400	NYLON BUSH (尼龙套)	2	
02-52	VR-6500-650-021500	LEADER BASE (导杆座)	1	
02-53	VR-6500-CS.RG16	EXTERNAL CIRCLIP (轴用挡圈)	1	
02-54	VR-6500-6.5-021600	ROD (导杆)	1	
02-55	VR-6500-6.5-021300	SPRING (弹簧)	1	
02-56	VR-6500-650-022900	SWITCH BUSH (急停开关护套)	1	
02-57	VR-6500-FNL.N-M10	HEXAGON THIN NUT (六角薄螺母)	1	
02-58	VR-6500-650-021200	EMERGENCY KNOB (安全把手)	1	
02-59	VR-6500-WSPG.W16-DIN-3	WAVE SPRING WASHER (波型弹垫)	2	

VR-6500-03 MAIN FRAME

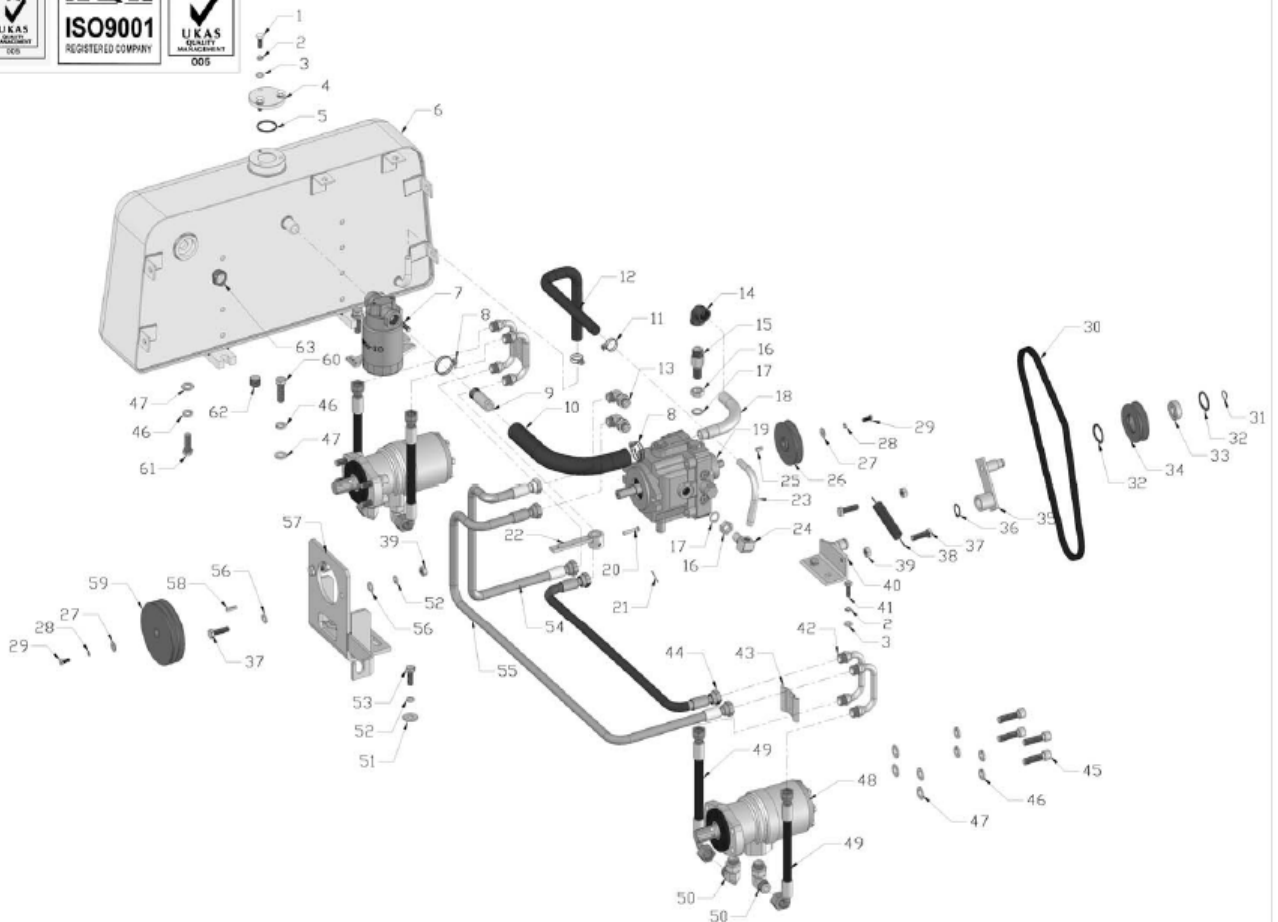


Drawn	C. J	Model	VR-6500	Drawing No.	VR-6500-03
Checked		Description	MAIN FRAME UNIT (机架装配)		
Approved		Date	2009.07.03		

VR-6500-03 MAIN FRAME

No. 序号	PART No. 图号	PART DESCRIPTION 品名	QTY 数量	UNIT PRICE (EUR)
03-1	VR-6500-FN.B-M10x30-8.8-DIN-1	BOLT (六角螺栓)	9	
03-2	VR-6500-FN.N-M10-DIN-1	NUT (螺母)	1	
03-3	VR-6500-6.5-020200	PIN (销轴)	1	
03-4	VR-6500-6.5-020300	SPRING (弹簧)	1	
03-5	VR-6500-SC.PIN-3x16	SPRING PIN (弹性圆柱销)	1	
03-6	VR-6500-650-020600	EYE BOLT (拉环)	1	
03-7	VR-6500-FN.B-M8x25-8.8-DIN-1	BOLT (六角螺栓)	1	
03-8	VR-6500-SPG.W8-DIN-1	SPRING WASHER (弹垫)	7	
03-9	VR-6500-FN.W8-DIN-1	WASHER (平垫)	7	
03-10	VR-6500-6.5-051600	BRACKET (振动拉线座)	1	
03-11	VR-6500-FN.B-M12x60-8.8-DIN-1	BOLT (六角螺栓)	1	
03-12	VR-6500-FN.N-M12-DIN-1	NUT (螺母)	1	
03-13	VR-6500-650-030300	BASE FRAME (大底板)	1	
03-14	VR-6500-IN.N-M12-DIN-1	LOCK NUT (防松螺母)	8	
03-15	VR-6500-SPG.W12-DIN-1	SPRING WASHER (弹垫)	40	
03-16	VR-6500-6.5-030700	RUBBER CUSHION (缓冲块)	4	
03-17	VR-6500-WOD.W12-GB-1	WASHER (大垫圈)	4	
03-18	VR-6500-6.5-030600	UPPER CUSHION SEAT (上缓冲座)	4	
03-19	VR-6500-FN.W12-DIN-1	WASHER (平垫)	8	
03-20	VR-6500-FN.B-M12x35-8.8-DIN-1	BOLT (六角螺栓)	32	
03-21	VR-6500-100G-000004	VENT SCREW (螺纹通气螺丝)	1	
03-22	VR-6500-6.5-050300	COVER (端盖)	1	
03-23	VR-6500-650-030400	STOPPER (限位板)	2	
03-24	VR-6500-FN.W10-DIN-1	WASHER (平垫)	16	
03-25	VR-6500-SPG.W10-DIN-1	SPRING WASHER (弹垫)	16	
03-26	VR-6500-650-030100	MOUNTING (架体)	1	
03-27	VR-6500-6.5D-031000	SCRAPER FRAME (刮泥板支架)	4	
03-28	VR-6500-FN.B-M10x35-8.8-DIN-1	BOLT (六角螺栓)	4	
03-29	VR-6500-6.5D-031100	EXTERNAL SCRAPER (外刮泥板)	2	
03-30	VR-6500-FN.B-M10x25-8.8-DIN-1	BOLT (六角螺栓)	4	
03-31	VR-6500-6.5D-030900	INTERNAL SCRAPER (内刮泥板)	2	
03-32	VR-6500-6.5-030500	SIDE COVER (盖板)	1	
03-33	VR-6500-80-0409	NAMEPLATE (铭牌)	1	
03-34	VR-6500-K.RVT-2.5x5	RIVET (铆钉)	4	
03-35	VR-6500-FN.B-M8x16-8.8-DIN-1	BOLT (六角螺栓)	6	
03-36	VR-6500-6.5-040900	U BYPASS SUPPORT (U型管固定板)	2	
03-37	VR-6500-FN.B-M6x20-8.8-DIN-1	BOLT (六角螺栓)	3	
03-38	VR-6500-SPG.W6-DIN-1	SPRING WASHER (弹垫)	3	
03-39	VR-6500-FN.W6-DIN-1	WASHER (平垫)	3	

VR-6500-04 HYDRAULIC UNIT

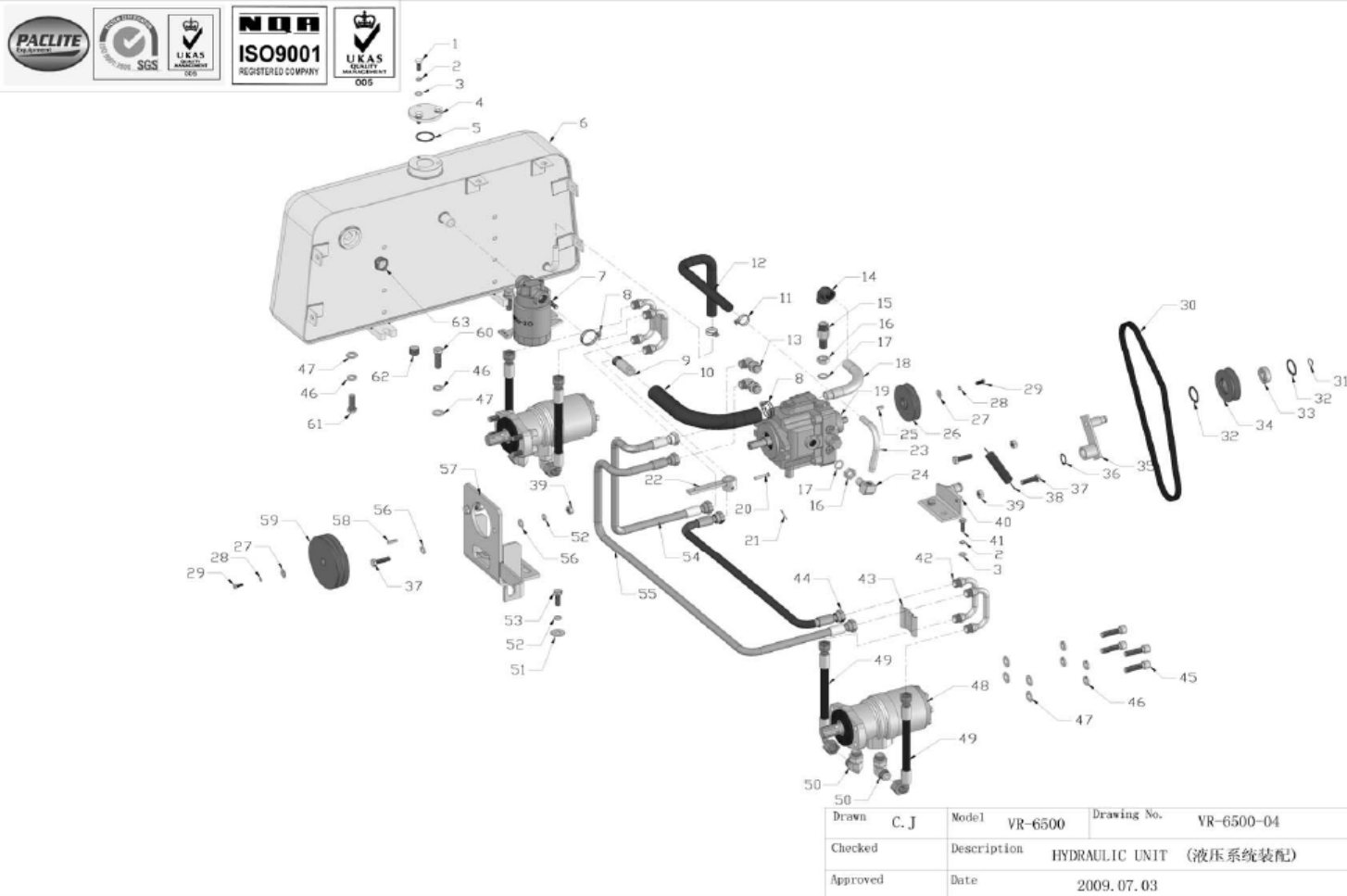


Drawn	C. J	Model	VR-6500	Drawing No.	VR-6500-04
Checked		Description	HYDRAULIC UNIT (液压系统装配)		
Approved		Date	2009.07.03		

VR-6500-04 HYDRAULIC UNIT

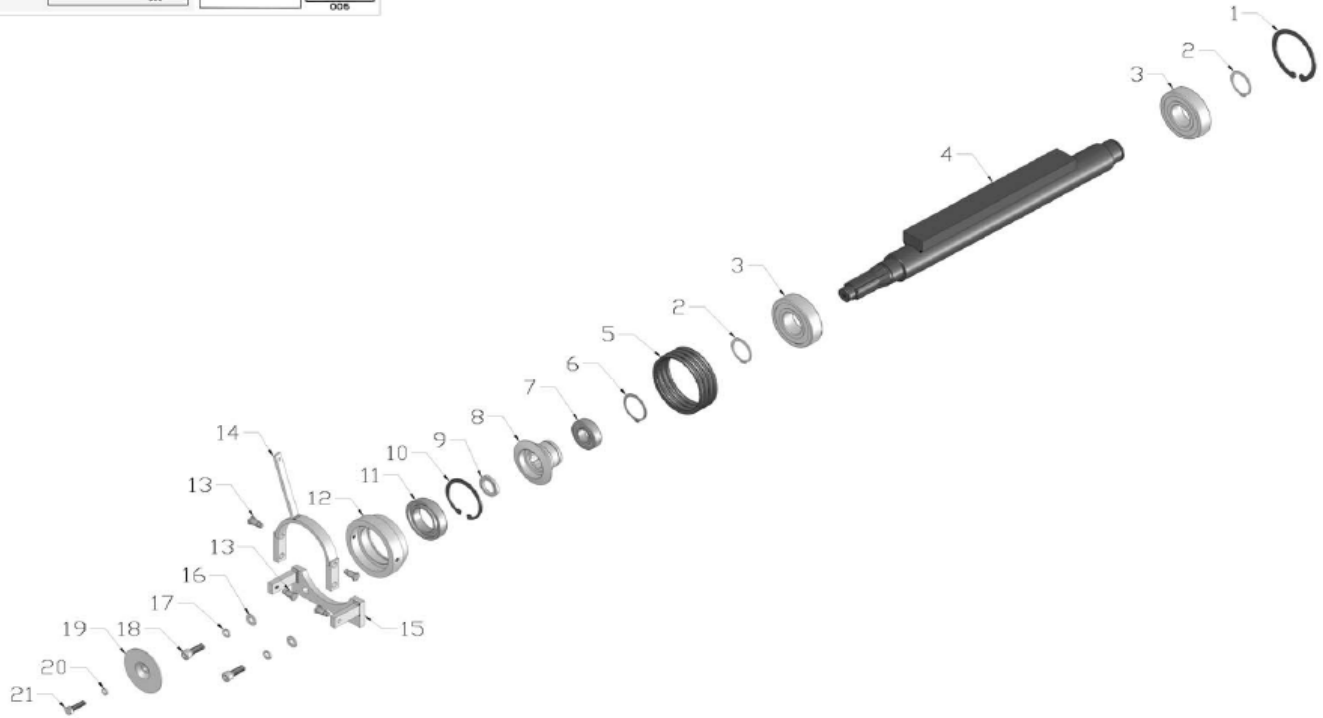
No. 序号	PART No. 图号	PART DESCRIPTION 品名	QTY 数量	UNIT PRICE (EUR)
04-1	VR-6500-FN.B-M8x20-8.8	BOLT (六角螺栓)	3	
04-2	VR-6500-SPG.W8-DIN-1	SPRING WASHER (弹垫)	5	
04-3	VR-6500-FN.W8-DIN-1	WASHER (平垫)	5	
04-4	VR-6500-6.5-041107	HYDRULIC OIL TANK CAP (油箱盖)	1	
04-5	VR-6500-W04-34.4x3.1	O-RING (O型圈)	1	
04-6	VR-6500-650-041100	HYDRAULIC OIL TANK (液压油箱)	1	
04-7	VR-6500-6.5-040003	FILTER (滤油器)	1	
04-8	VR-6500-6.5-040008	STEEL WIRE HOOP (钢丝管箍)	2	
04-9	VR-6500-6.5-041200	FILTER NIPPLE (过滤器接管)	1	
04-10	VR-6500-6.5-040007	SUCTION HOSE (进油胶管)	1	
04-11	VR-6500-6.5-040009	STEEL WIRE HOOP (钢丝管箍)	2	
04-12	VR-6500-6.5-040006	DRAIN HOSE (回油胶管)	1	
04-13	VR-6500-1CG9-18-06OG	ELBOW BEND (直角弯头)	2	
04-14	VR-6500-6.5-041600	PIPE BEND (弯头)	1	
04-15	VR-6500-6.5-041300	SUCTION CONNECTOR (进油管接头)	1	
04-16	VR-6500-6.5-041500	LOCK NUT (锁紧螺母)	2	
04-17	VR-6500-ZH-D-M16	WASHER (组合垫圈)	2	
04-18	VR-6500-6.5-040700	SUCTION NIPPLE (进油管)	1	
04-19	VR-6500-W17-PV10-619	HYDRAULIC PUMP (液压泵)	1	
04-20	VR-6500-HWH.PIN-6x32	PIN (带孔圆柱销)	1	
04-21	VR-6500-SP.PIN-1.6x20	SPLIT PIN (开口销)	1	
04-22	VR-6500-6.5-040200	CONTROL LEVER (油泵调节杆)	1	
04-23	VR-6500-6.5-040600	DRAIN NIPPLE (回油管)	1	
04-24	VR-6500-6.5-041400	TIE-IN (管接头)	1	
04-25	VR-6500-Key.B-4.8x4.8x14	KEY (平键)	1	
04-26	VR-6500-6.5-040500	PUMP PULLEY (皮带轮)	1	
04-27	VR-6500-WOD.W6-GB-1	WASHER (大垫圈)	2	
04-28	VR-6500-SPG.W6-DIN-1	SPRING WASHER (弹垫)	2	
04-29	VR-6500-FN.B-M6x16-8.8-DIN-1	BOLT (六角螺栓)	2	
04-30	VR-6500-W02-A33	V-BELT (V型皮带)	1	
04-31	VR-6500-CS.RG15	EXTERNAL CIRCLIP (轴用挡圈)	1	
04-32	VR-6500-CH.RG35	INTERNAL CIRCLIP (孔用挡圈)	2	
04-33	VR-6500-W01-6202Z-J	BEARING (轴承)	1	
04-34	VR-6500-6.5-051400	PULLEY (压带轮)	1	
04-35	VR-6500-6.5-051300	PULLEY BRACKET (压带轮支架)	1	
04-36	VR-6500-CS.RG20	EXTERNAL CIRCLIP (轴用挡圈)	1	
04-37	VR-6500-FN.B-M10x35-8.8-DIN-1	BOLT (六角螺栓)	4	
04-38	VR-6500-6.5-051500	SPRING (弹簧)	1	
04-39	VR-6500-FN.N-M10-DIN-1	NUT (螺母)	4	
04-40	VR-6500-6.5-051200	PULLEY BRACKET (带轮支架)	1	
04-41	VR-6500-FN.B-M8x25-8.8-DIN-1	BOLT (六角螺栓)	2	
04-42	VR-6500-6.5-040800	BYPASS PIPE (U型管接头)	4	
04-43	VR-6500-6.5-041000	U BYPASS STATOR (U型管压板)	2	
04-44	VR-6500-20411-18-06x1T06IRx500	HYDRAULIC HOSE (胶管总成)	1	

VR-6500-04 HYDRAULIC UNIT



No. 序号	PART No. 图号	PART DESCRIPTION 品名	QTY 数量	UNIT PRICE (EUR)
04-45	VR-6500-HS.B-M12x45	SCREW (内六角螺栓)	8	
04-46	VR-6500-SPG.W12-DIN-1	SPRING WASHER (弹垫)	12	
04-47	VR-6500-FN.W12-DIN-1	WASHER (平垫)	12	
04-48	VR-6500-W17-151-6038	HYDRAULIC MOTOR (液压马达)	2	
04-49	VR-6500-20491-22-06T/20411-18x1T06IRx385	HYDRAULIC HOSE (胶管总成)	4	
04-50	VR-6500-1CG9-22-08OG	ELBOW BEND (直角弯头)	4	
04-51	VR-6500-WOD.W10-GB-1	WASHER (大垫圈)	4	
04-52	VR-6500-SPG.W10-DIN-1	SPRING WASHER (弹垫)	6	
04-53	VR-6500-FN.B-M10x30-8.8-DIN-1	BOLT (六角螺栓)	4	
04-54	VR-6500-20411-18-06x1T06IRx750	HYDRAULIC HOSE (胶管总成)	1	
04-55	VR-6500-20411-18-06x1T06IRx1070	HYDRAULIC HOSE (胶管总成)	1	
04-56	VR-6500-FN.W10-DIN-1	WASHER (平垫)	4	
04-57	VR-6500-6.5-040100	PUMP BRACKET (油泵支架)	1	
04-58	VR-6500-Key.B-5x5x22	KEY (平键)	1	
04-59	VR-6500-6.5-040300	PUMP PULLEY (带轮)	1	
04-60	VR-6500-FN.B-M12x40-8.8-DIN-1	BOLT (六角螺栓)	2	
04-61	VR-6500-FN.B-M12x35-8.8-DIN-1	BOLT (六角螺栓)	2	
04-62	VR-6500-HSHOS.B-ZG1-2	HEXAGONAL SOCKET HEAD PLUG (内六角螺塞)	1	
04-63	VR-6500-100GB-041000	OIL GAUGE (油标)	1	

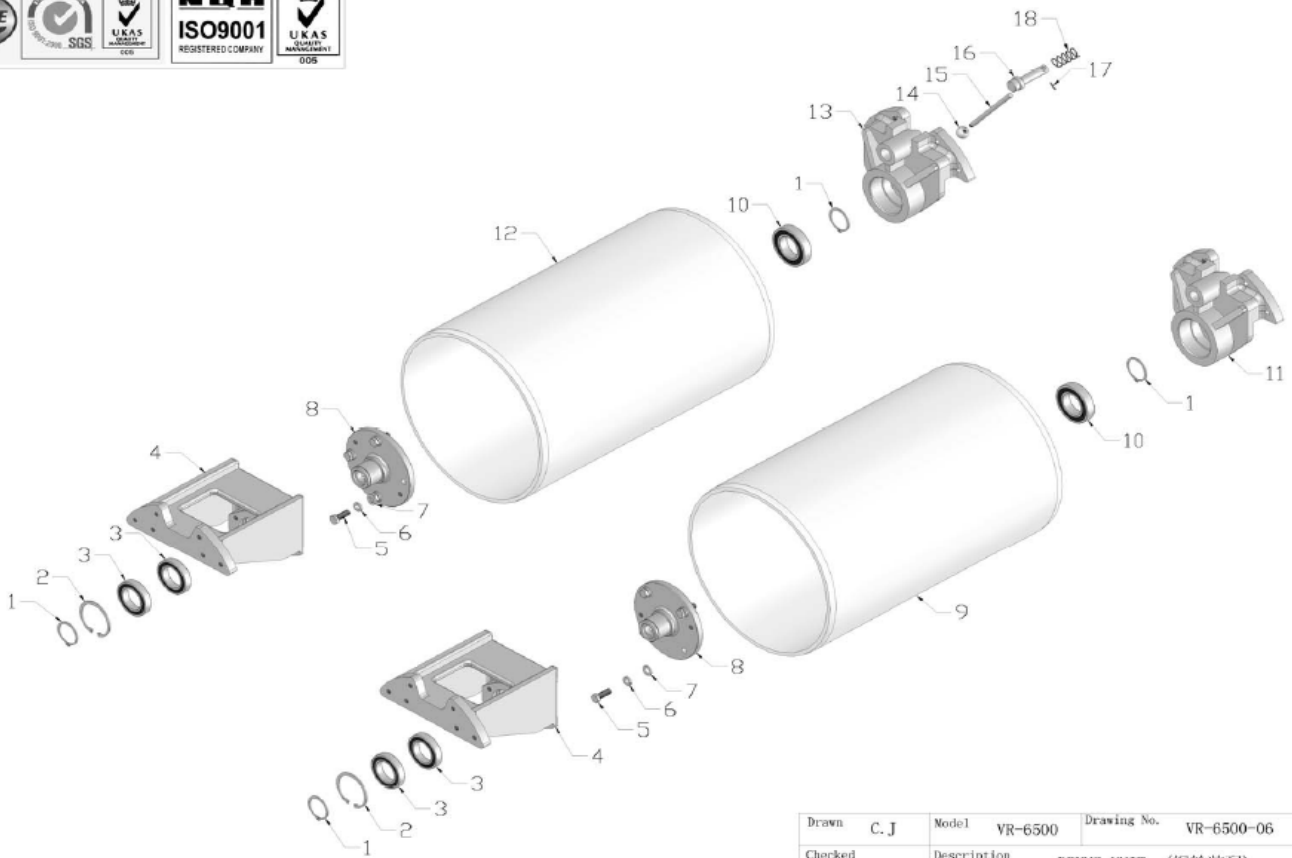
VR-6500-05 VIBRATION UNIT



Drawn	C. J	Model	VR-6500	Drawing No.	VR-6500-05
Checked		Description	VIBRATION UNIT (振动机构装配)		
Approved		Date	2009. 07. 03		

No. 序号	PART No. 图号	PART DESCRIPTION 品名	QTY 数量	UNIT PRICE (EUR)
05-1	VR-6500-CH.RG90	INTERNAL CIRCLIP (孔用档圈)	1	
05-2	VR-6500-CS.RG40	EXTERNAL CIRCLIP (轴用挡圈)	2	
05-3	VR-6500-W01-6308ZZ-J	BEARING (轴承)	2	
05-4	VR-6500-650-050100	EXCITER SHAFT (振动轴)	1	
05-5	VR-6500-6.5-050400	SPRING (弹簧)	1	
05-6	VR-6500-CS.RG45	EXTERNAL CIRCLIP (轴用挡圈)	1	
05-7	VR-6500-W01-6205ZZ-J	BEARING (轴承)	1	
05-8	VR-6500-6.5-050600	EXCITER PULLEY (轮盘)	1	
05-9	VR-6500-6.5-050800	COLLAR (轴环)	1	
05-10	VR-6500-CH.RG75	INTERNAL CIRCLIP (孔用档圈)	1	
05-11	VR-6500-W01-6009-J	BEARING (轴承)	1	
05-12	VR-6500-6.5-050500	EXCITER BUSH (滑动套)	1	
05-13	VR-6500-6.5-051000	BOLT (螺栓)	4	
05-14	VR-6500-5.5-050900	EXCITER LEVER (叉架)	1	
05-15	VR-6500-6.5D-051100	EXCITER LEVER SUPPORT (支架)	1	
05-16	VR-6500-FN.W10-DIN-1	WASHER (平垫)	2	
05-17	VR-6500-SPG.W10-DIN-1	SPRING WASHER (弹垫)	2	
05-18	VR-6500-HS.B-M10x30-8.8-DIN-1	SCREW (内六角螺钉)	2	
05-19	VR-6500-6.5-050700	EXCITER PULLEY (固定带轮盘)	1	
05-20	VR-6500-SPG.W8-DIN-1	SPRING WASHER (弹垫)	1	
05-21	VR-6500-FN.B-M8x30-8.8-DIN-1	BOLT (六角螺栓)	1	

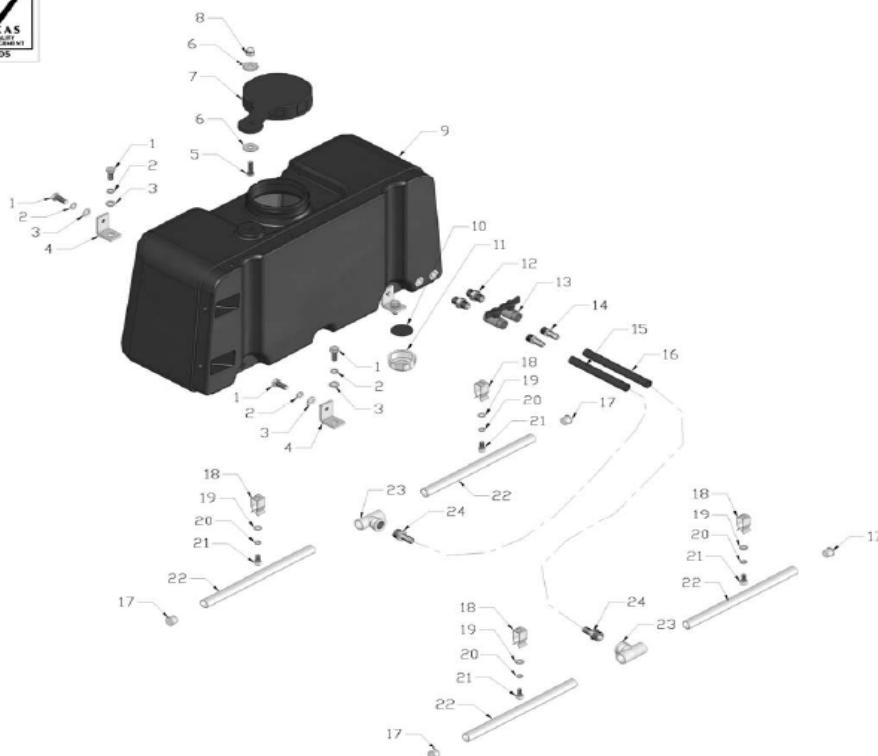
VR-6500-06 DRUMS UNIT



Drawn	C. J	Model	VR-6500	Drawing No.	VR-6500-06
Checked		Description	DRUMS UNIT (钢轮装配)		
Approved		Date	2009.07.03		

No. 序号	PART No.	图号	PART DESCRIPTION 品名	QTY 数量	UNIT PRICE (EUR)
06-1	VR-6500-CS.RG50		EXTERNAL CIRCLIP (轴用挡圈)	4	
06-2	VR-6500-CH.RG80		INTERNAL CIRCLIP (孔用挡圈)	2	
06-3	VR-6500-W01-6010LLU-J		BEARING (轴承)	4	
06-4	VR-6500-6.5-060100		BRACKET (支座)	2	
06-5	VR-6500-FN.B-M12x35-8.8-DIN-1		BOLT (六角螺栓)	8	
06-6	VR-6500-SPG.W12-DIN-1		SPRING WASHER (弹垫)	8	
06-7	VR-6500-FN.W12-DIN-1		WASHER (平垫)	8	
06-8	VR-6500-6.5-060200		FLANGE SHAFT (右半轴)	2	
06-9	VR-6500-6.5D-060300		FRONT DRUM (前轮)	1	
06-10	VR-6500-W01-6210LLU-J		BEARING (轴承)	2	
06-11	VR-6500-6.5-060500		FRONT LEFT BRACKET(左前支架)	1	
06-12	VR-6500-6.5D-060600		REAR DRUM (后轮)	1	
06-13	VR-6500-6.5-060800		REAR LEFT BRACKET (左后支架)	1	
06-14	VR-6500-SH-M8x25		GRIP BALL (手柄球)	1	
06-15	VR-6500-6.5-060700		PARKING HANDLE (制动手柄)	1	
06-16	VR-6500-6.5-060900		STOPPER SHAFT (止动轴)	1	
06-17	VR-6500-SC.PIN-3x18		SPRING PIN (弹性圆柱销)	1	
06-18	VR-6500-6.5-061000		SPRING (弹簧)	1	

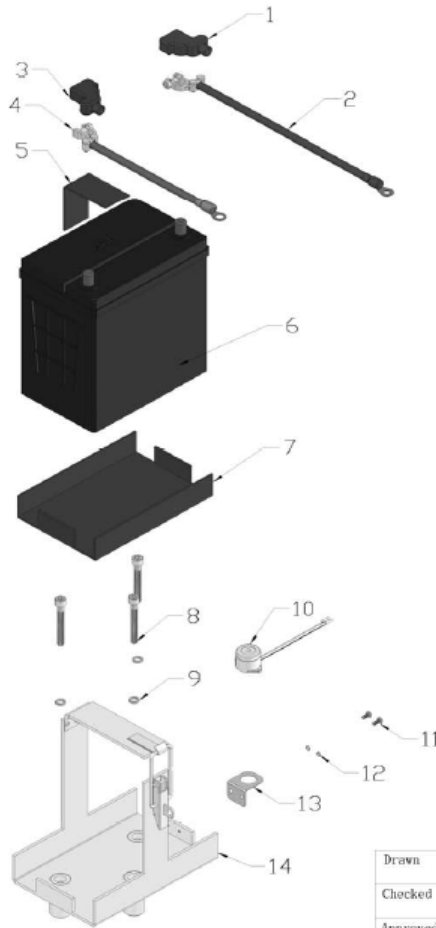
VR-6500-07 SPRINKLER UNIT



Drawn	C. J	Model	VR-6500	Drawing No.	VR-6500-07
Checked		Description	SPRINKLER UNIT (洒水系统装配)		
Approved		Date	2009.07.03		

No. 序号	PART No. 图号	PART DESCRIPTION 品名	QTY 数量	UNIT PRICE (EUR)
07-1	VR-6500-FN.B-M10x25-8.8-DIN-1	BOLT (六角螺栓)	6	
07-2	VR-6500-SPG.W10-DIN-1	SPRING WASHER (弹垫)	6	
07-3	VR-6500-FN.W10-DIN-1	WASHER (平垫)	6	
07-4	VR-6500-650-070300	BRACKET (水箱支架)	3	
07-5	VR-6500-FN.B-M10x30-8.8-DIN-1	BOLT (六角螺栓)	1	
07-6	VR-6500-WOD.W10	WASHER (大垫圈)	2	
07-7	VR-6500-650-070200	WATER TANK CAP (水箱盖)	1	
07-8	VR-6500-HC.N-M10	CAP NUT (盖形螺母)	1	
07-9	VR-6500-650-070100	WATER TANK (水箱)	1	
07-10	VR-6500-650-070500	RUBBER CUSHION (橡胶垫)	1	
07-11	VR-6500-70B-010112	FUEL TANK CAP (油箱盖)	1	
07-12	VR-6500-650-070400	CONNECTOR (接头)	2	
07-13	VR-6500-6.5-070001	CULVERT VALVE (球阀)	2	
07-14	VR-6500-20-000703	HOSE NIPPLE (铜管接头)	2	
07-15	VR-6500-6.5-070003	HYDRAULIC HOSE (胶管)	1	
07-16	VR-6500-6.5-070004	HYDRAULIC HOSE (胶管)	1	
07-17	VR-6500-90BII-060300	STOPPER (堵头)	4	
07-18	VR-6500-6.5-080000	PIPE HOLDER (水管抱箍)	4	
07-19	VR-6500-FN.W8-DIN-1	WASHER (平垫)	4	
07-20	VR-6500-SPG.W8-DIN-1	SPRING WASHER (弹垫)	4	
07-21	VR-6500-HS.B-M8x16-8.8-GB-1	SCREW (内六角螺钉)	4	
07-22	VR-6500-6.5D-070200	HOSE (水管)	4	
07-23	VR-6500-90BII-000005	TEE COUPLING (三通 1/2x20.5)	2	
07-24	VR-6500-90BII-000001	HOSE NIPPLE (铜管接头)	2	

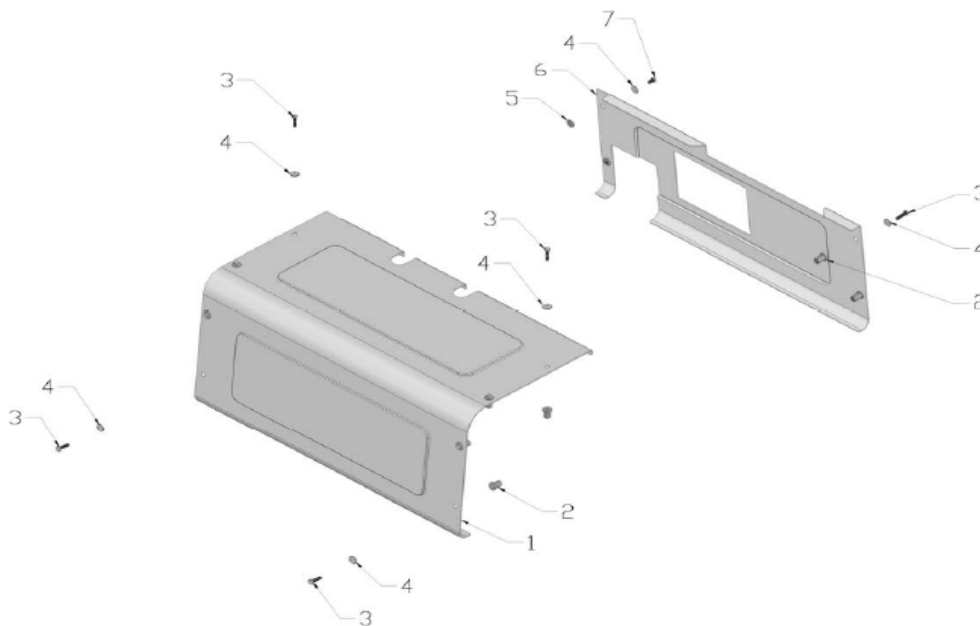
VR-6500-08 BATTERY UNIT



Drawn	C. J	Model	VR-6500	Drawing No.	VR-6500-08
Checked		Description	BATTERY UNIT (电源装配)		
Approved		Date	2009.07.03		

No. 序号	PART No. 图号	PART DESCRIPTION 品名	QTY 数量	UNIT PRICE (EUR)
08-1	VR-6500-650-080100	ANODE CAP (正极接线护套)	1	
08-2	VR-6500-650-080300	ANODE WIRE (正极接线)	1	
08-3	VR-6500-650-080200	CATHODE CAP (负极接线护套)	1	
08-4	VR-6500-650-080400	CATHODE WIRE (电源线)	1	
08-5	VR-6500-6.5D-031403	UNDERLAY (缓冲垫)	1	
08-6	VR-6500-6.5D-000001	BATTERY (蓄电池)	1	
08-7	VR-6500-6.5D-031404	UNDERLAY (缓冲垫)	1	
08-8	VR-6500-HS.B-M8x60-8.8-GB-1	SCREW (内六角螺钉)	3	
08-9	VR-6500-SPG.W8-DIN-1	SPRING WASHER (弹垫)	3	
08-10	VR-6500-650-080500	BUZZER (蜂鸣器)	1	
08-11	VR-6500-PAN.S-M4x10	PAN HEAD SCREW (十字盘头槽螺钉)	2	
08-12	VR-6500-SPG.W4-DIN-1	SPRING WASHER (弹垫)	2	
08-13	VR-6500-650-080600	BUZZER BRACKET (蜂鸣器支架)	1	
08-14	VR-6500-6.5D-031400	BATTERY BOX (蓄电池座)	1	

VR-6500-09 COVER UNIT



Drawn	C. J	Model	VR-6500	Drawing No.	VR-6500-09
Checked		Description	COVER UNIT (机盖装配)		
Approved		Date	2009.07.03		

VR-6500-09 COVER UNIT

No. 序号	PART No. 图号	PART DESCRIPTION 品名	QTY 数量	UNIT PRICE (EUR)
09-1	VR-6500-650-090200	COVER (机盖)	1	
09-2	VR-6500-5-31-2253006021	WEL NUT (橡胶螺母)	10	
09-3	VR-6500-FN.B-M6x25-8.8-DIN-1	BOLT (六角螺栓)	8	
09-4	VR-6500-WOD.W6-GB-1	WASHER (大垫圈)	8	
09-5	VR-6500-650-090110	RUBBER WASHER (橡胶垫圈)	2	
09-6	VR-6500-650-090100	SIDE COVER (侧盖)	1	
09-7	VR-6500-FN.B-M6x12-8.8-DIN-1	BOLT (六角螺栓)	2	